

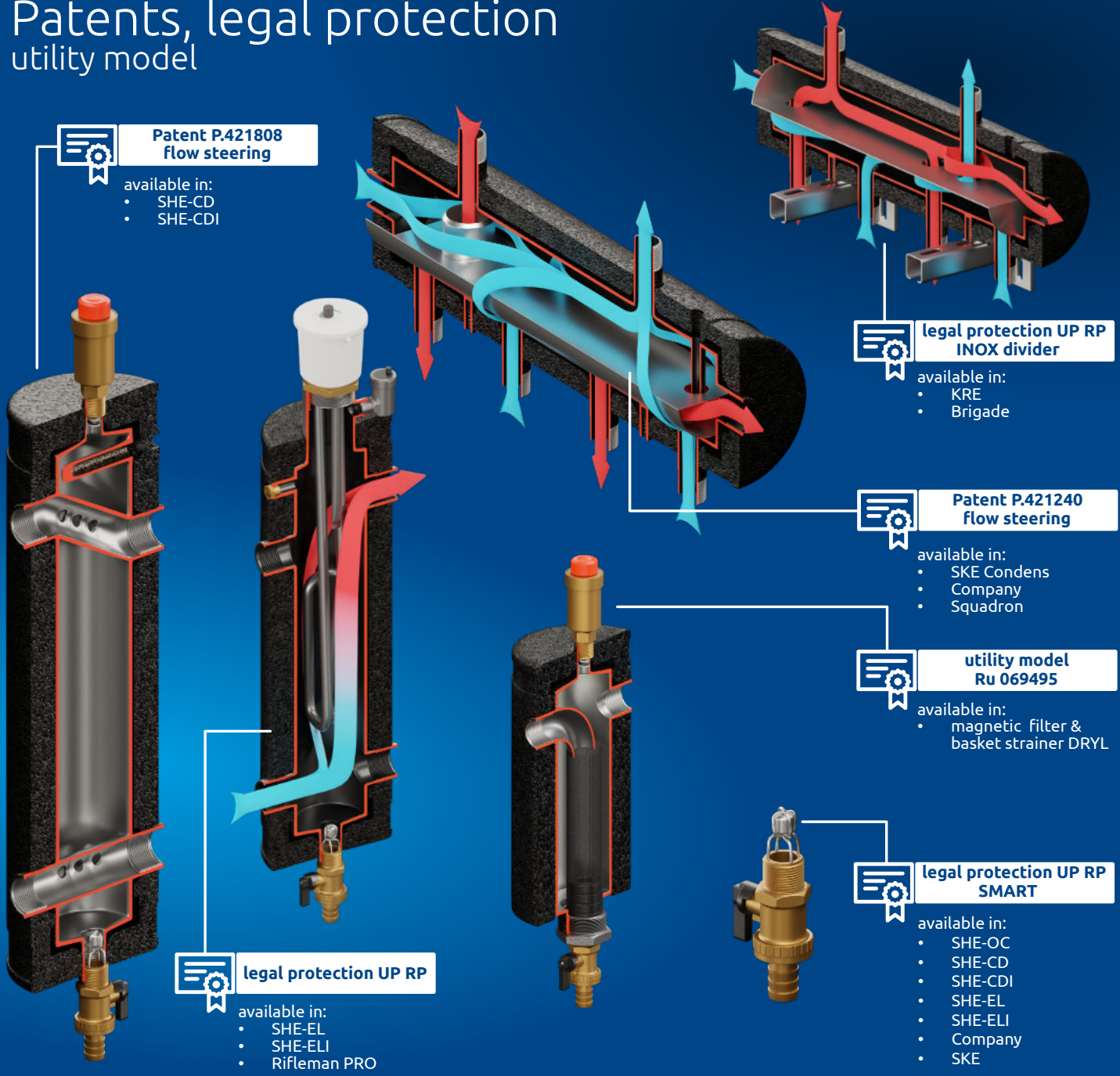
HYDRAULIC ARMATURE



Catalogue 2021



Patents, legal protection utility model

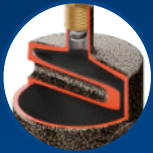


Legends



Measuring pipe

Necessary for proper temperature read



Measuring pipe

Necessary for proper temperature read



Air vent and drain valve

Ensures effective deaeration. Allows fill up/ release water in the central heating system



Adaptation set

Complete with SKE - allows for work in 4 positions 360°



Extension set

(OPTION) applies to SKE – possibility to connect additional circuit



EPP insulation

reduces heat loss



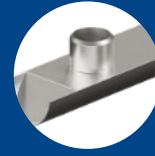
Neodymium magnetic separator

Captures impurities ferromagnetic in the central heating installation



Mounting profile

facilitates mounting to the wall



Flow steering

available in SKE
- advantages see page 22



Flow steering

available in SKE
- advantages see page 22



INOX divider

available in KRE
- advantages see page 16



Mounting bracket

Facilitates mounting to the wall



Rotary device

Ability to work in several positions



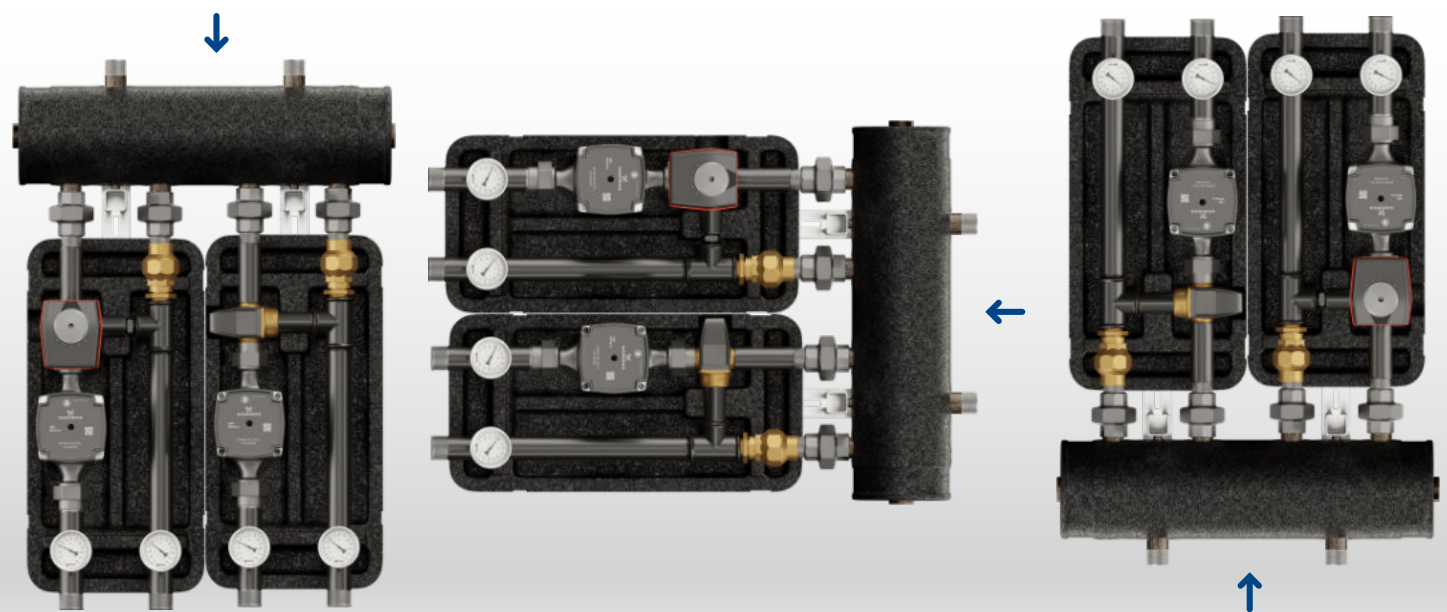
Cheaper in the set

Applies to the sets: Company and Brigade

Company and Brigade sets

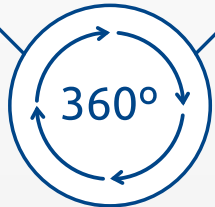
Four installation positions of the sets thanks to the following:

- INOX flow steering - Company set
- INOX divider - Brigade set



Company

Brigade



mounting profiles



extension set



flow steering



adaptive set



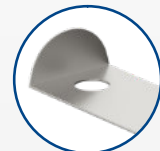
air vent, drain valve



mounting profiles



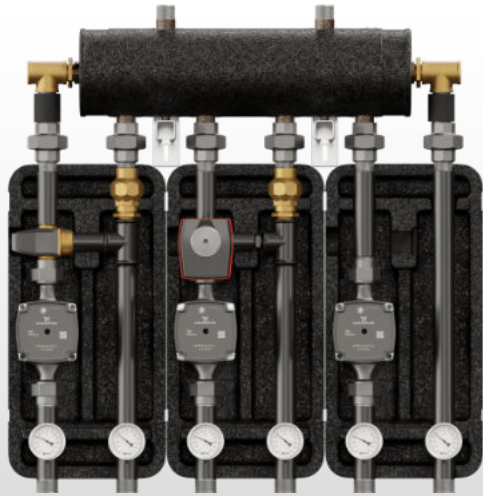
extension set



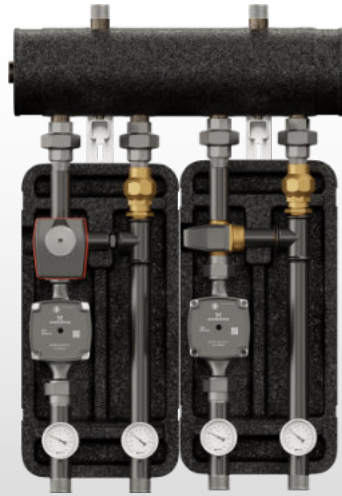
INOX divider

Company and Brigade sets

Selection example for 3 pump circuits with pump groups



=



+



+

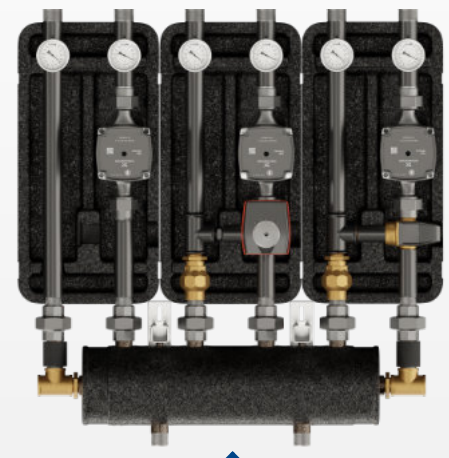
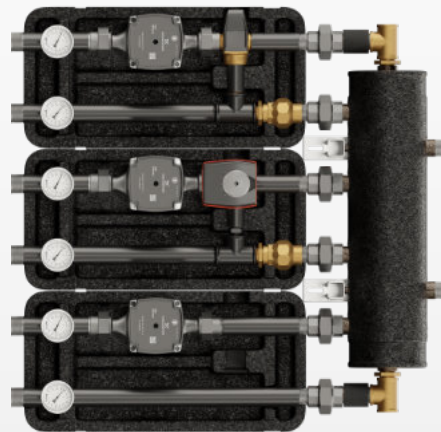
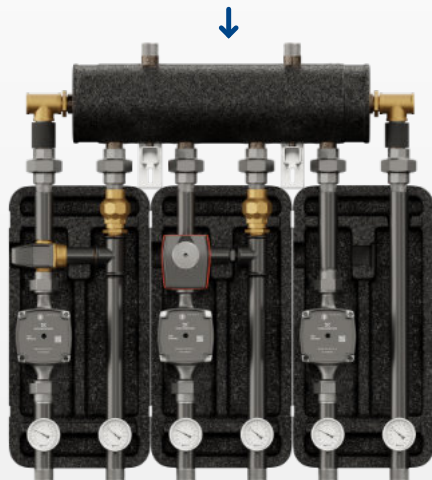


Four positions of
installation

Company - code 855584
Brigade - code 840584

extension set
code 400001

universal pump
group
code 625070

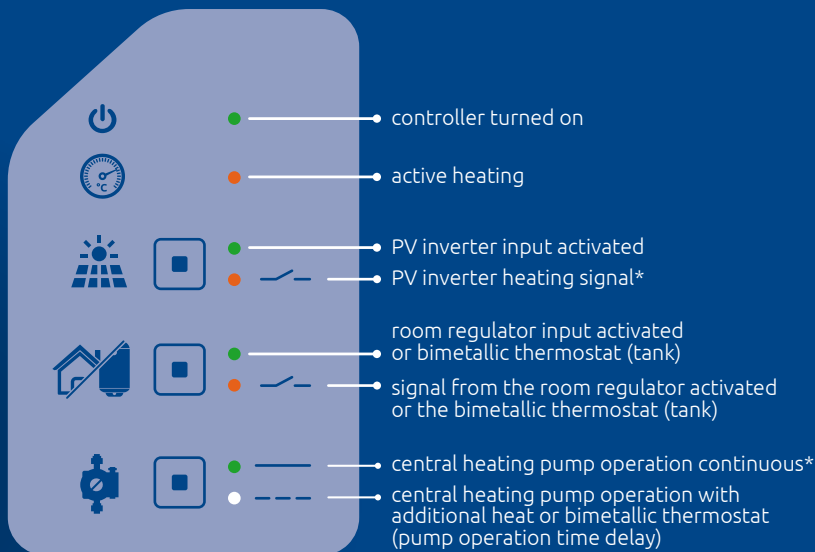


Electronic Navigator controller

to control a heater with a bimetallic switch and 2 heat source (separable contact)

New Spring
2021

item code 811001

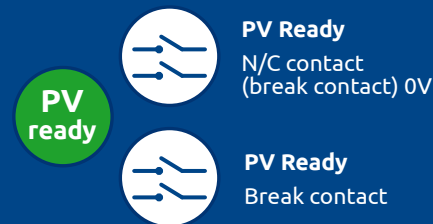


Perfect for cooperation with:

- System additional heater Rifleman
- System additional heater Rifleman PRO
- low loss header SHE-EL / ELI
- bimetallic heater for the domestic hot water tank

Technical data:

- supply voltage 230V (3x230V)
- maximum heater power 3 x 4 kW
- 2 x OV voltage-free input
- dimensions: 225 x 175 x 80 mm



4 driver operation options



only C.H. pump



C.H. pump
+ inverter

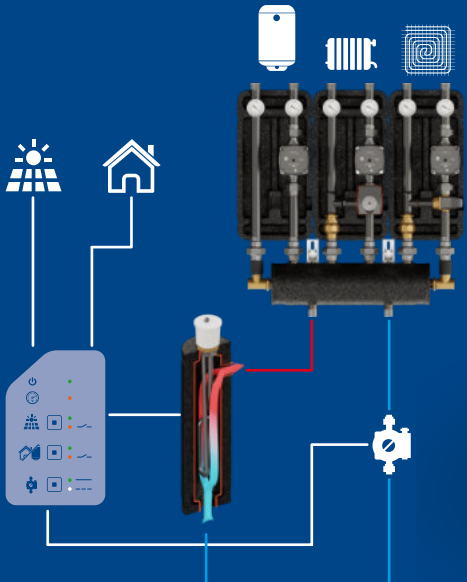
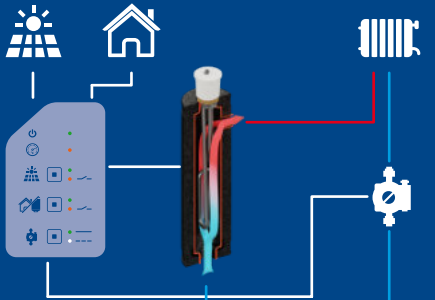


C.H. pump
+ room thermostat /
bimetallic thermostat



C.H. pump
+ inverter PV
+ room thermostat /
bimetallic thermostat

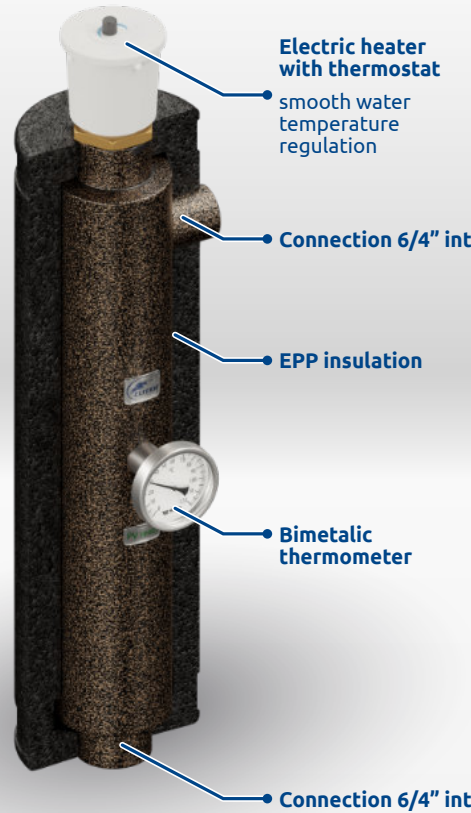
An exemplary diagram of the Navigator + Rifleman controller connection



Central heating system additional heater Rifleman

the only one in market

- perfect as an alternative heating source in PV systems
- Anti-freeze system
- smooth CH water temperature regulation
- resistor emergency stop switch



Rifleman / 230V

2 kW / 230 V Rifleman 230/2

item code 212302

3 kW / 230 V Rifleman 230/3

item code 212303

Rifleman / 400V

3 kW / 400 V Rifleman 400/3

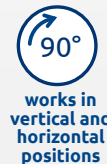
item code 214003

4,5 kW / 400 V Rifleman 400/4

item code 214004

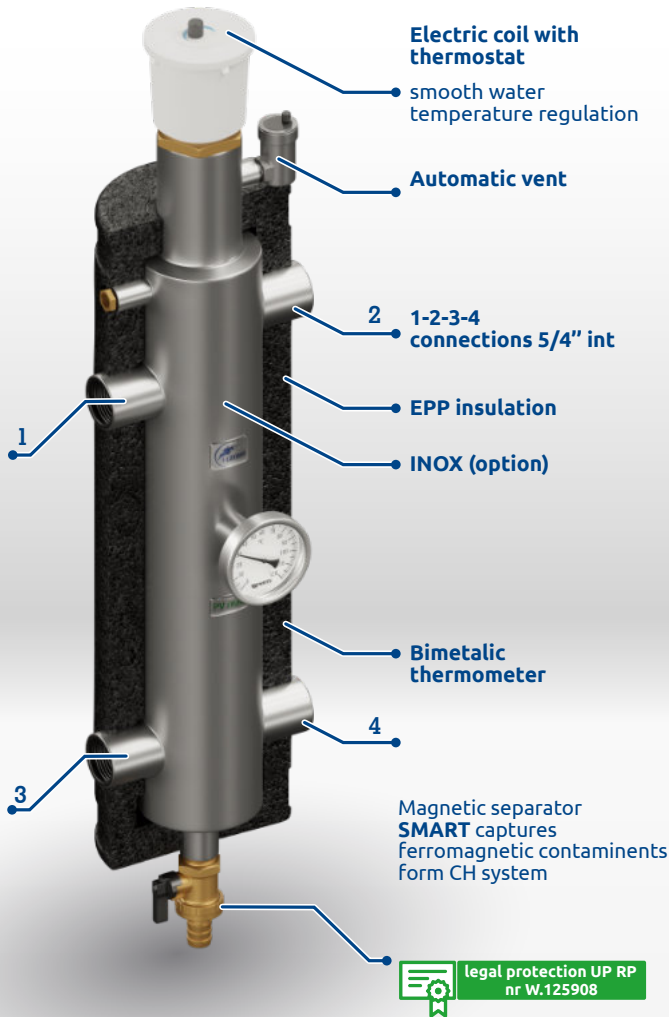
6 kW / 400 V Rifleman 400/6

item code 214006





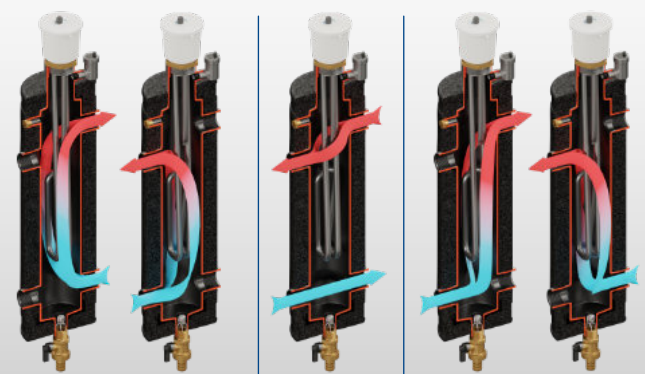
Central heating system additional heater Rifleman PRO



the only one in market

- perfect as an alternative heating source in PV systems
- perfect as a peak source for heat pump
- compatible with 2D + and 3D + separating manifolds Elterm
- electric heater with thermostat
- Anti-freeze system
- smooth CH water temperature regulation
- resistor emergency stop switch

Universal connection - 5 variants



Rifleman PRO / 400V		Rifleman PRO / 230V	
3 kW / 400 V	400/3	2 kW / 230 V	230/2
item code	224003	item code	222302
4,5 kW / 400 V	400/4	3 kW / 230 V	230/3
item code	224004	item code	222303
6 kW / 400 V	400/6		
item code	224006		



bimetalic thermometer



wide choice of products



for open circuit



for closed circuit



universal connection



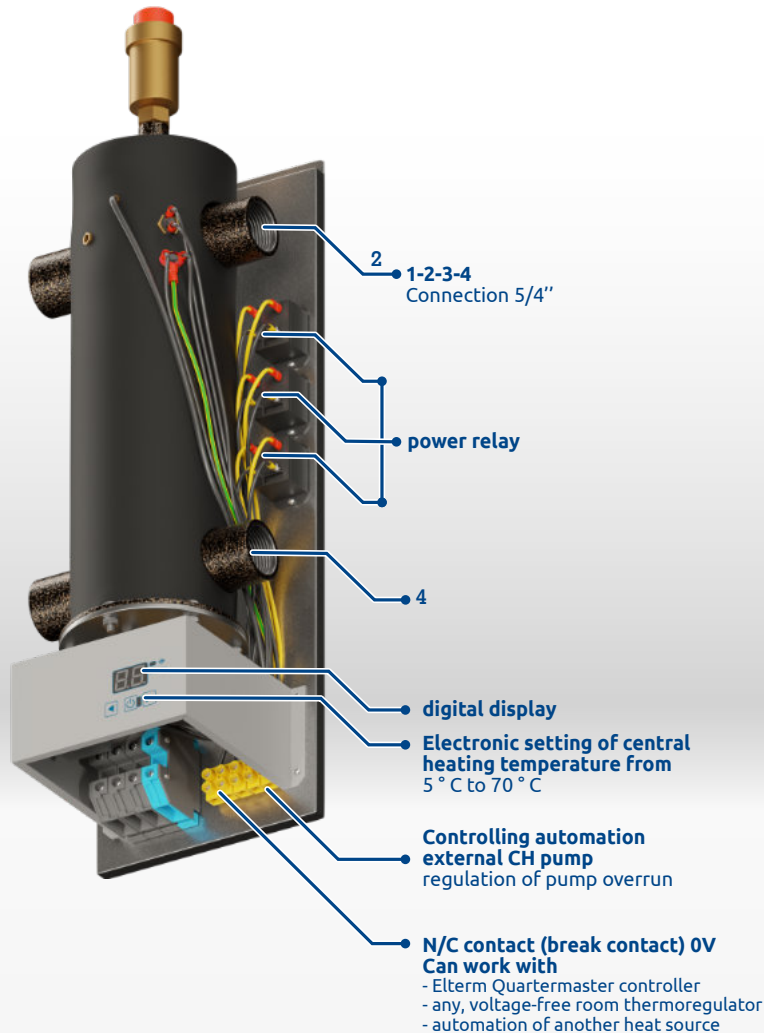
SMART



Automatic vent

Electric heating boiler Uhlan

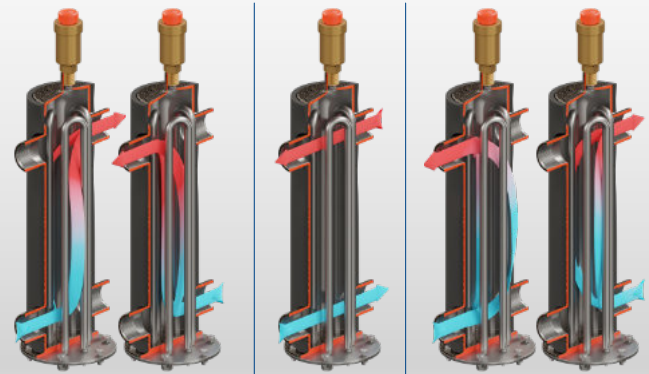
with low loss header function



the only one in market

- Smallest dimensions on market
- Perfect as alternative heating source in PV systems
- Perfect as a peak source for heat pump
- Can work in an open central heating system
- Dedicated to work with heat pumps
- SHE-OC 70 kW Elterm low loss header function
- Compatible with connection manifolds 2D+ & 3D+ Elterm
- Equipped with intuitive control

Universal connection - 5 variants



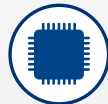
Max. Power	power supply 230/400V	electronic modulation	manual modulation	code
4 kW	230 V	co 1/3 mocy	2-4 kW	170004
4 kW	400 V	co 1/3 mocy	2-4 kW	170004
6 kW	230 V	co 1/3 mocy	2-4-6 kW	170006
6 kW	400 V	co 1/3 mocy	2-4-6 kW	170006
9 kW	400 V	co 1/3 mocy	3-6-9 kW	170009
12 kW	400 V	co 1/3 mocy	4-8-12 kW	170012



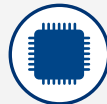
PV
ready



Electronic setting
of temperature



Controlling automation
external CH
pump



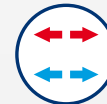
Controlling automation
of heaters



N/C contact
(break contact)
0V



maximum
power lock



universal
connection



Automatic
vent

Low loss header SHE- OC



The SHE Low loss header is used for separation of the boiler circuit from the circuit heating

They are used in systems with one or several sources of heat and especially composed of more than one circuit.

Advantages of using low loss headers:

- independent operation of individual circuits
- correct operation of the pumps
- venting the central heating system

Correctly selected diameters of the body and connectors cause flow optimization

V max 1 in connectors = 1,2 m/s

V max 2 in connectors= 0,2 m/s



New 2021

Mounting bracket included



New 2021

neodymium magnetic separator
SHE - OC + SMART included





SHE-OC 40

the most popular low loss header in Poland

	SHE-OC 40 25/65	SHE-OC 70 32/80	SHE-OC 100 40/100	SHE-OC 115 50/100	SHE-OC 156 50/125
item code	402040	402070	402100	402115	402156
insulation	YES EPP	YES EPP	YES EPP	YES EPP	YES EPP

	SHE 40 25/65	SHE 70 32/80	SHE 100 40/100	SHE115 50/100	SHE 156 50/125
item code	401040	401070	401100	401115	401156
insulation	NO	NO	NO	NO	NO
Max. Power ($\Delta T=15K$)	40 kW	70 kW	100 kW	115 kW	156 kW
Max. Power ($\Delta T=20K$)	55 kW	90 kW	135 kW	150 kW	210 kW
Connection (DN)	25 - 1"lt	32 - 5/4"lt	40 - 6/4"Et	50 - 2"Et	50 - 2"Et
Max. Flow	2,3 m ³ /h	4,0 m ³ /h	5,7 m ³ /h	6,6 m ³ /h	9,0 m ³ /h



SHE-OC 225

the most popular flange low loss header in Poland

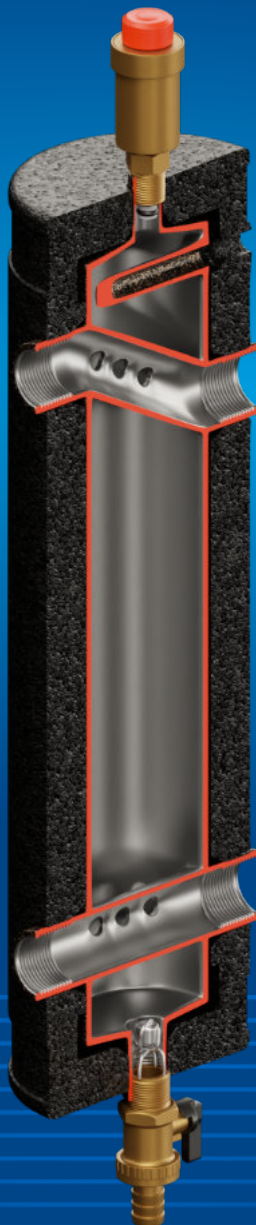
	SHE-OC 225 65/150	SHE-OC 420 80/200	SHE-OC 435 100/200	SHE-OC 700 100/250	SHE-OC 750 125/250
item code	402225	402420	402435	402700	402750
insulation	YES mineral wool	YES mineral wool	YES mineral wool	YES mineral wool	YES mineral wool
Max. Power ($\Delta T=15K$)	225 kW	420 kW	435 kW	700 kW	750 kW
Max. Power ($\Delta T=20K$)	300 kW	560 kW	580 kW	935 kW	1000 kW
Flange DN (PN16)	65-2½"	80-3"	100-4"	100-4"	125-5"
Max. Flow	12,9 m/h	24,0 m ³ /h	25,2 m/h	39,0 m/h	41,5 m/h

* Mounting bracket included in SHE up to 115 kW



Vertical low loss header

SHE-CDI Condens INOX, SHE-CD Condens



Flow steering

maintains the high efficiency of the condensing boiler and heat pump

minimizes the return of hot water directly to the heat source

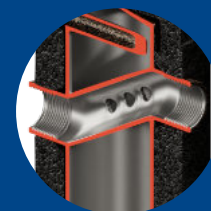


C.H. pump + inverter



condensing boiler

A+++



New 2021

Mounting bracket included



SHE-CDI INOX

stainless steel body and flow steering

SHE-CDI 210 i SHE-CD 210

the most powerful low loss steering from the threaded series

INOX	SHE-CDI 55 25/65	SHE-CDI 90 32/80	SHE-CDI 135 40/100	SHE-CDI 210 50/125
item code	404055	404090	404135	404210
Max. Power ($\Delta T=20K$)	55 kW	90 kW	135 kW	210 kW
insulation	YES EPP	YES EPP	YES EPP	YES EPP

	SHE-CD 55 25/65	SHE-CD 90 32/80	SHE-CD 135 40/100	SHE-CD 150 50/100	SHE-CD 210 50/125
item code	403055	403090	403135	403150	403210
Max. Power ($\Delta T=20K$)	55 kW	90 kW	135 kW	150 kW	210 kW
insulation	YES EPP	YES EPP	YES EPP	YES EPP	YES EPP
Connection (DN) A	25-1" It	32 1¼" It	40 1½" Et	50 - 2" Et	50 - 2" Et
Max. Flow	2,3 m ³ /h	4,0 m ³ /h	5,7m ³ /h	6,6 m ³ /h	9,0 m ³ /h



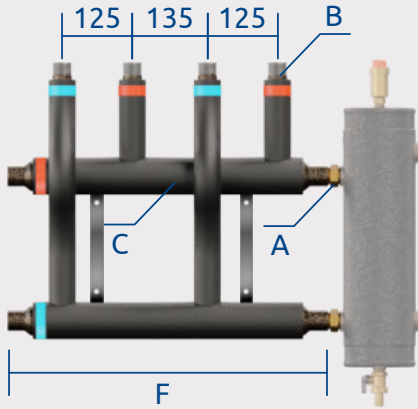
SHE-CD

flanged version

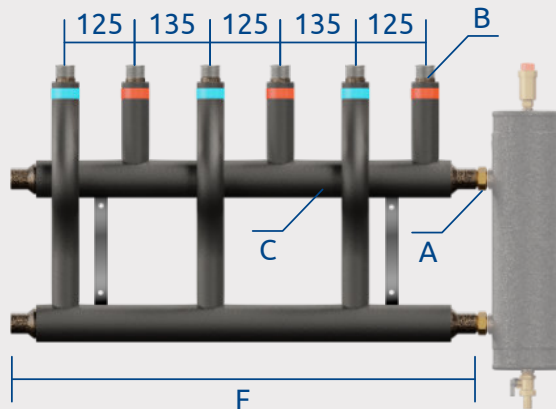
	SHE-CD 300 65/150	SHE-CD 560 32/80
item code	403300	403560
Max. Power ($\Delta T=20K$)	300 kW	560 kW
insulation	YES mineral wool	YES mineral wool
Flange DN (PN 16)	65-2½"	80-3"
Max. Flow	12,9 m ³ /h	24,0 m ³ /h

* Mounting bracket included in SHE- CDI up to 135 kW, in SHE-CD up to 150 kW

Connecting manifolds for low loss headers SHE

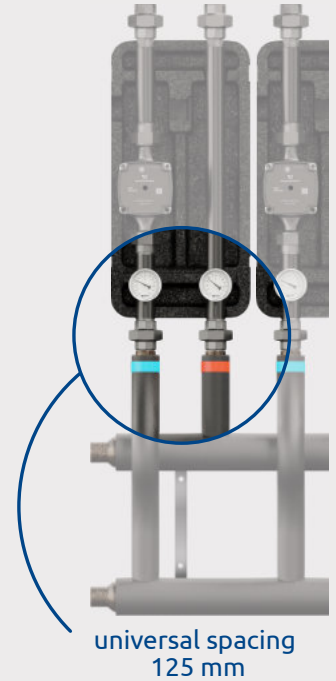


2D+ 2-way separating manifolds
(2 upwards + 1 sideways)



3D+ 3-way separating manifolds
(3 upwards + 1 sideways)

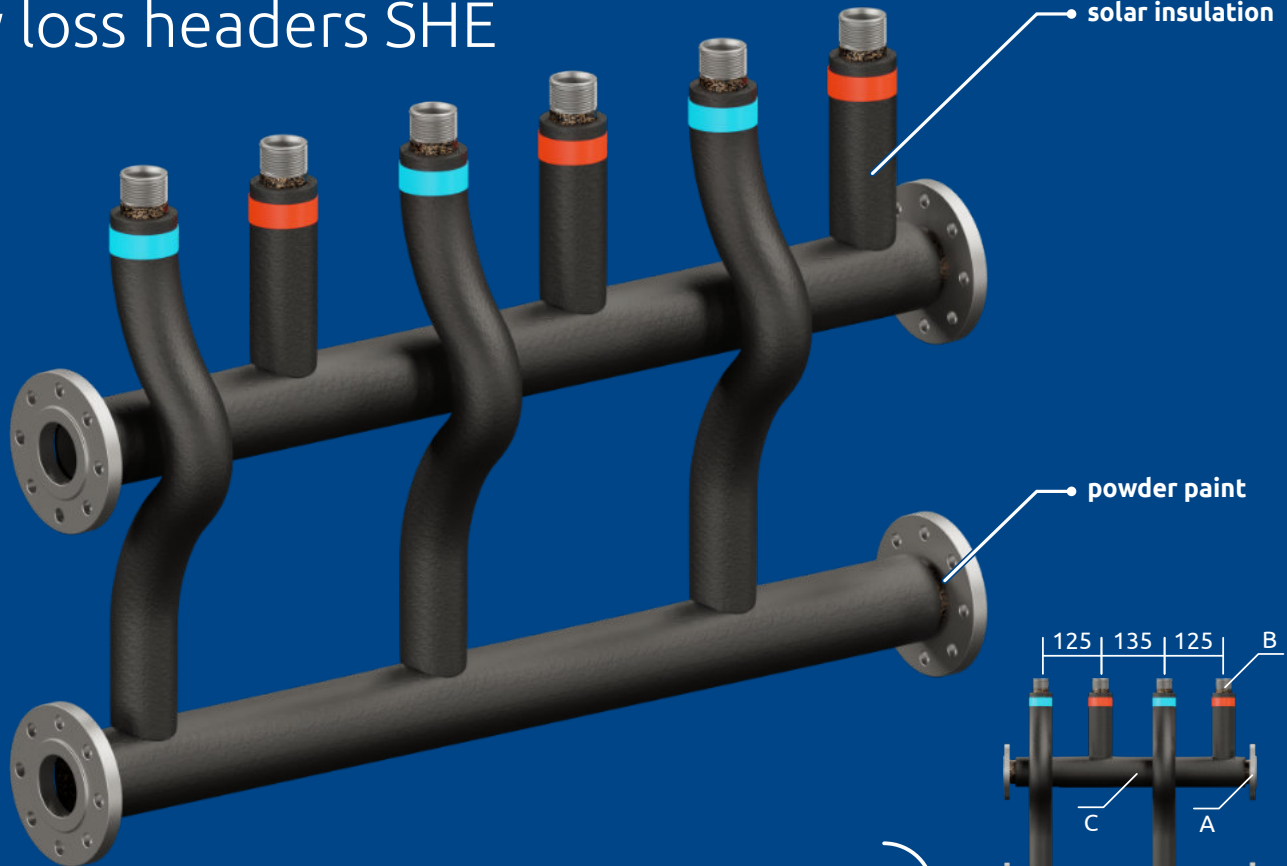
manifolds can be rotated 180°



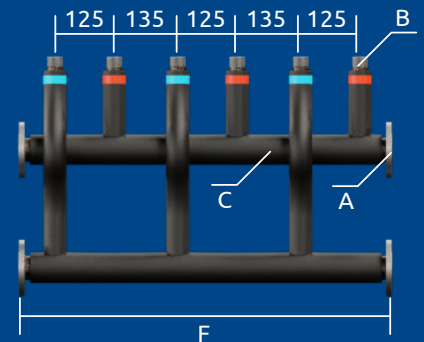
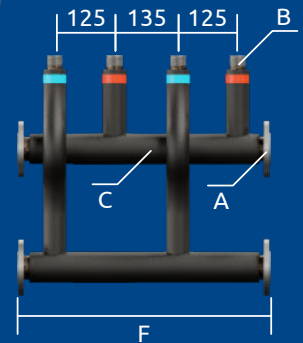
For SHE	40/55 kW	70/90 kW	100/135 kW	115/150 kW	156/210 kW
B=1"		2D + 2-way separating manifolds (2 upwards + 1 sideways)			
item code	512040	512070	512100	512115	512156
Solar insulation	Yes	Yes	Yes	Yes	Yes
item code	502040	502070	502100	502115	502156
Solar insulation	No	No	No	No	No
Dimension F (mm)	605	605	525	615	615
B=1"		3D + 3-way separating manifolds (3 upwards + 1 sideways)			
item code	513040	513070	513100	0513115	513156
Solar insulation	Yes	Yes	Yes	Yes	Yes
item code	503040	503070	503100	503115	503156
Solar insulation	No	No	No	No	No
Dimension F (mm)	865	865	785	880	880
Connection DN A	25 - 1" It	32 - 1¼" It	40 - 1½" Et	50 - 2" Et	50 - 2" Et
Connection DN - B	25 - 1" Et	25 - 1" Et	25 - 1" Et	25 - 1" Et	25 - 1" Et
Main pipe DN - C	40 - 1½"	40 - 1½"	40 - 1½"	50 - 2"	50 - 2"

For SHE	115/150 kW	156/210 kW
B=5/4"		2 upwards + 1 sideways
item code	562115	562156
Solar insulation	Yes	Yes
item code	552115	552156
Solar insulation	No	No
Dimension F (mm)	615	615
B=5/4"		3 upwards + 1 sideways
item code	563115	563156
Solar insulation	Yes	Yes
item code	553115	553156
Solar insulation	No	No
Dimension F (mm)	880	880
Connection DN A	50 - 2" Et	50 - 2" Et
Connection DN - B	32 - 1¼" Et	32 - 1¼" Et
Main pipe DN - C	50 - 2"	50 - 2"

Connecting manifolds for low loss headers SHE



manifolds can be rotated 180°

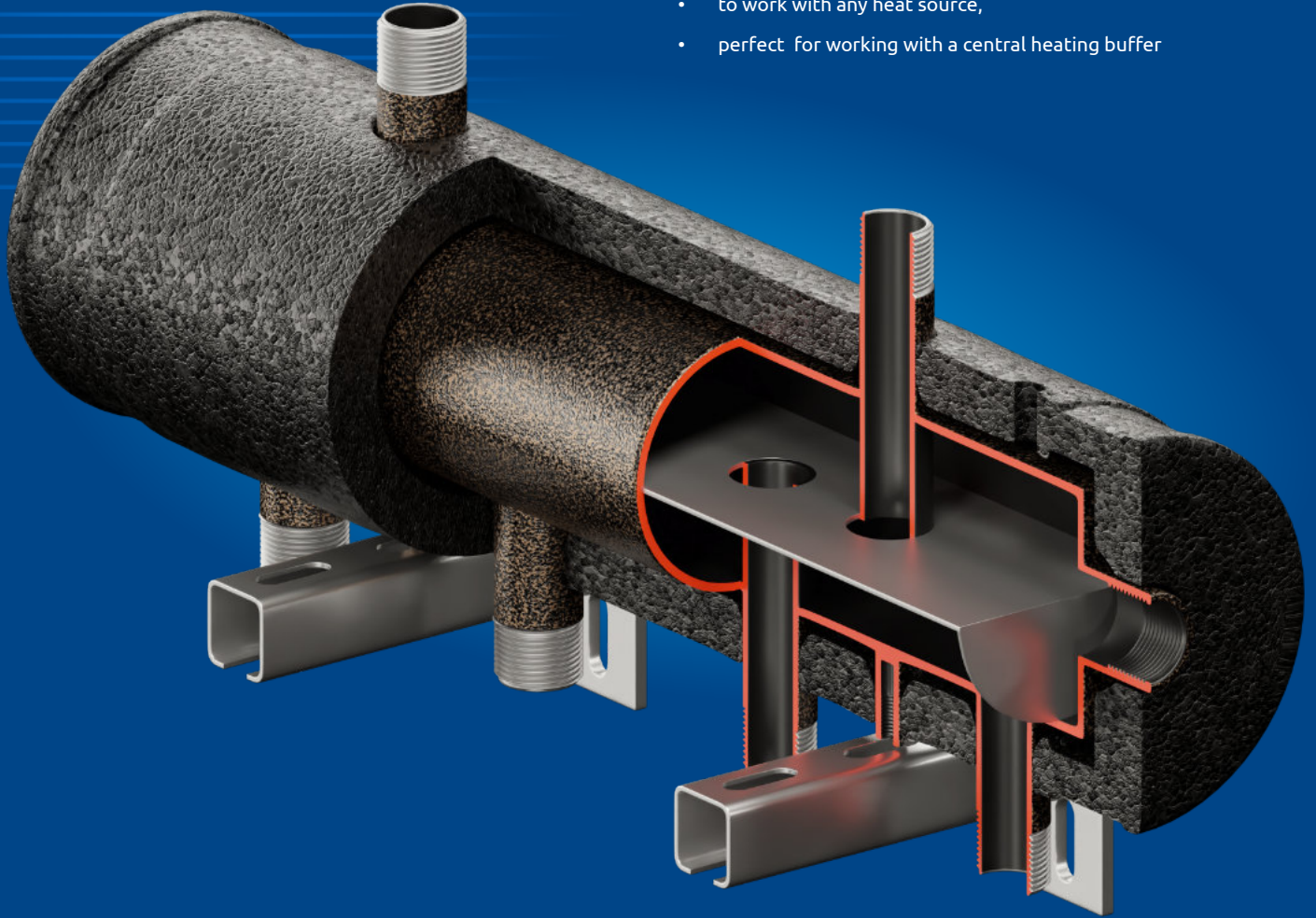


Flanged manifolds on request

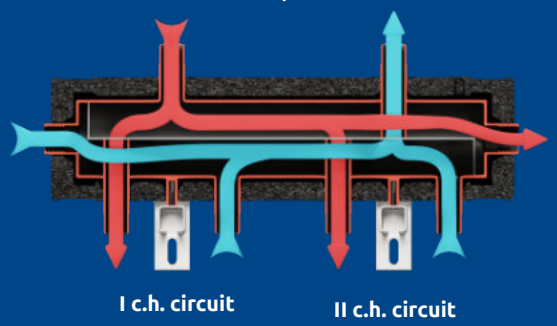
For SHE OC	225/300 kW	420/560 kW	435/580 kW	700/935 kW	750/1000 kW
B=5/4"		2 upper outputs + 1 side output			
item code	562225	562420	562435	562700	562750
Solar insulation	Yes	Yes	Yes	Yes	Yes
B=5/4"		3 upper outputs + 1 side output			
item code	563225	563420	563435	563700	563750
Solar insulation	Yes	Yes	Yes	Yes	Yes
Flange PN 16-A	65 - 2½"	80 - 3"	100 - 4"	100 - 4"	125 - 5"
Connection DN - B	32 - 1¼" Et	32 - 1¼" Et	32 - 1¼" Et	32 - 1¼" Et	32 - 1¼" Et
Main pipe DN - C	65 - 2½"	80 - 3"	100 - 4"	100 - 4"	125 - 5"

KRE 2D+ 40 kW compact manifold

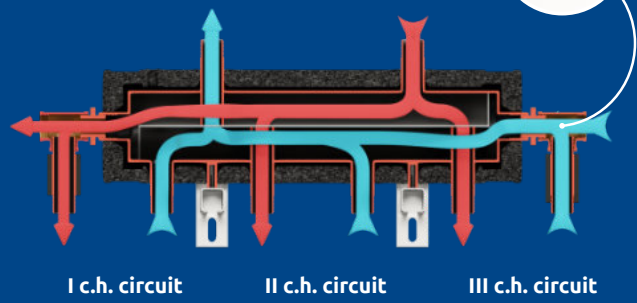
- technically advanced manifold,
- INOX divider ,
- guarantees an even hot water consumption
- 2 (3 optional) pump groups,
- enables installation of several pump groups with any mixing valve
- to work with any heat source,
- perfect for working with a central heating buffer



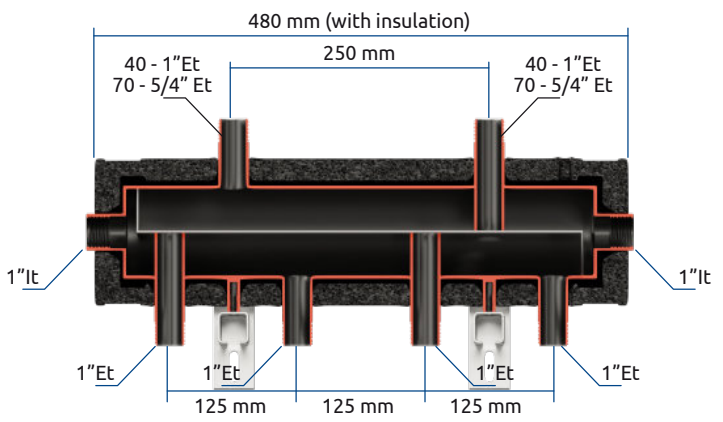
KRE 2D + manifold
1 or 2 heat sources
2 or 3 heating circuits



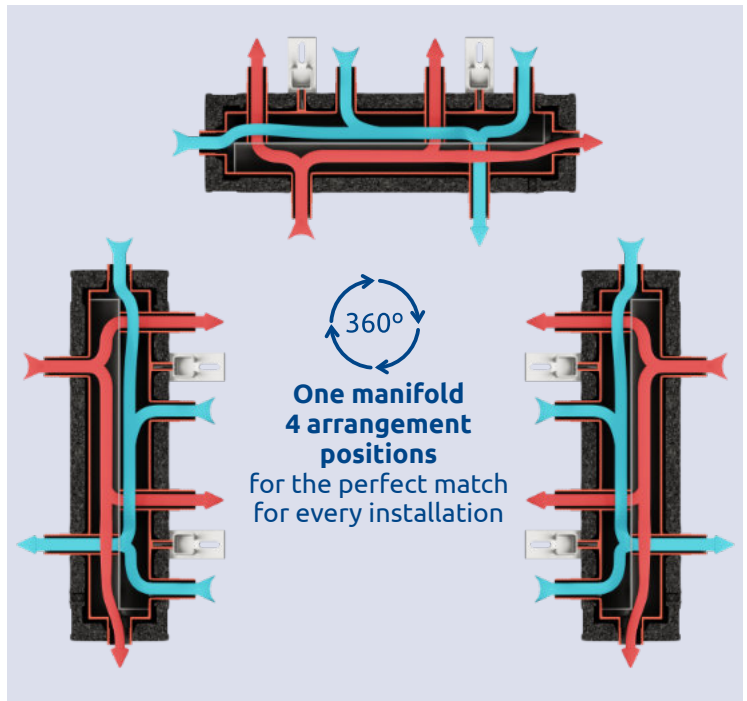
KRE 2D + manifold with extension set
1 or 2 heat sources
2 or 3 heating circuits



extension set item code 400001



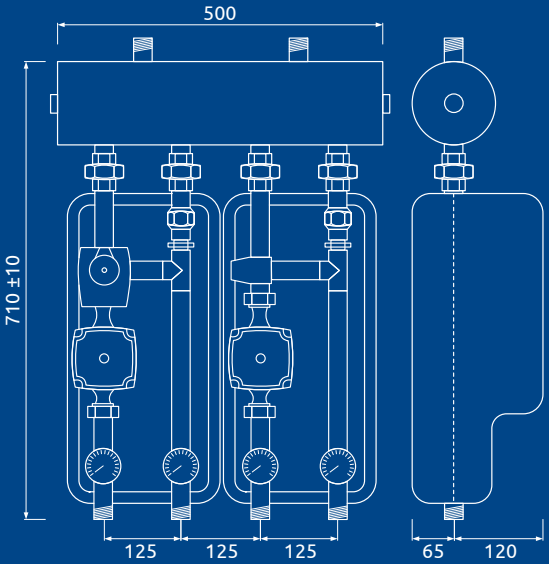
KRE 2D+	40 kW
item code	452040
max flow	2,3 m ³ /h
weight	6,8 kg



Brigade set

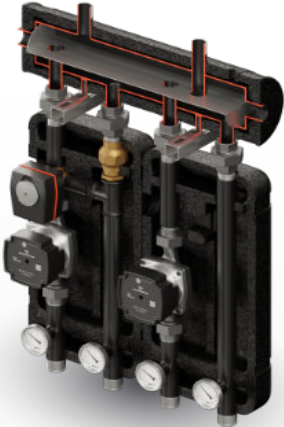
KRE 2D + compact manifold
2 x pump group

- Legal protection - INOX divider
- Advanced technical KRE 2D + divider
- Perfect cooperation with any heat source
- Perfect for working with the c. h. buffer
- 16 combinations to suit any c. h. Installation
- 4 positions of set installation

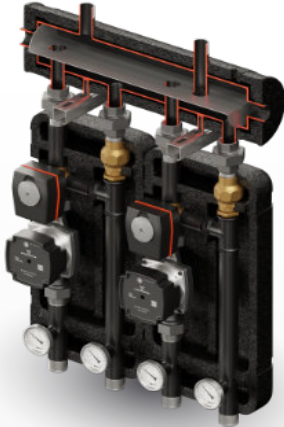


Brigade set

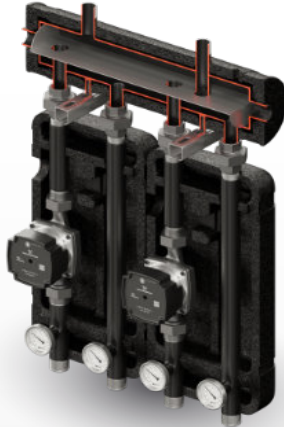
- KRE 2D + compact manifold
- 2 x pump group



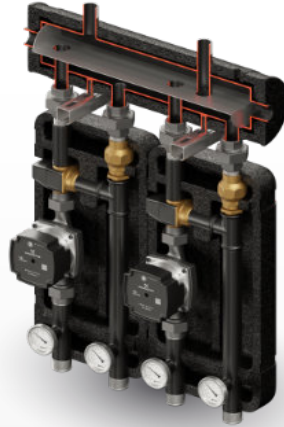
Brigade 480
VRG 432 + UNI + 
code 840480



Brigade 484
VRG 432 + VRG 432 + 
code 840484




Brigade 070
UNI + UNI + 
code 840070



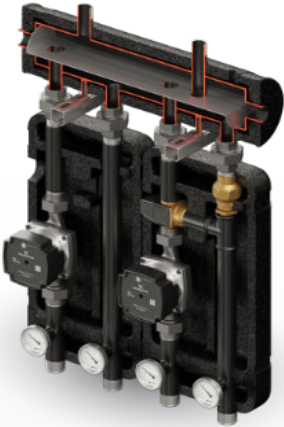
Brigade 575
VTA 522 + VTA 522 + 
code 840575

Brigade 410
VRG 432 + UNI 
code 840410

Brigade 414
VRG 432 + VRG 432 
code 840414

Brigade 000
UNI + UNI 
code 840000

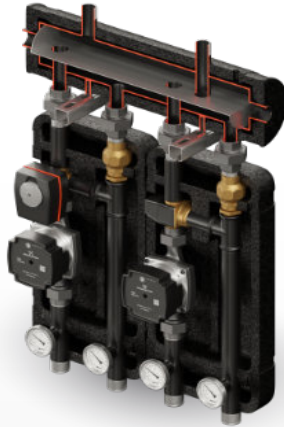
Brigade 505
VTA 522 + VTA 522 
code 840505



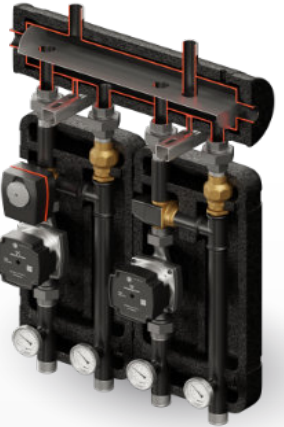
Brigade 370
VTA 322 + UNI + 
code 840370



Brigade 570
VTA 522 + UNI + 
code 840570



Brigade 384
VTA 322 + VRG 432 + 
code 840384



Brigade 584
VTA 522 + VRG 432 + 
code 840584

Brigade 300
VTA 322 + UNI 
code 840300

Brigade 500
VTA 522 + UNI 
code 840500

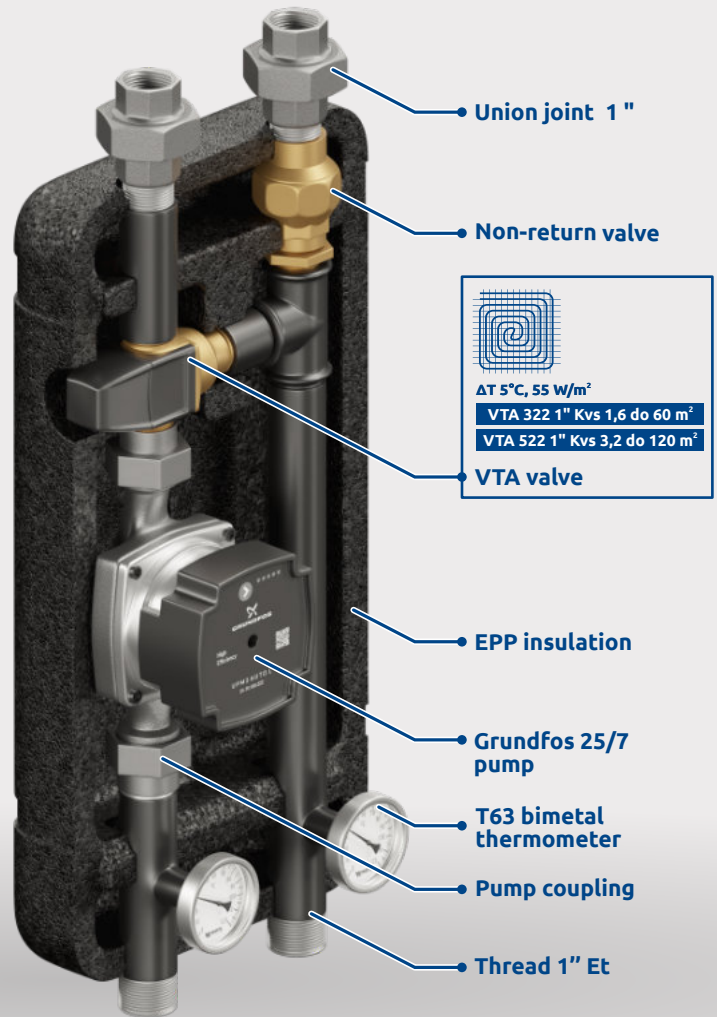
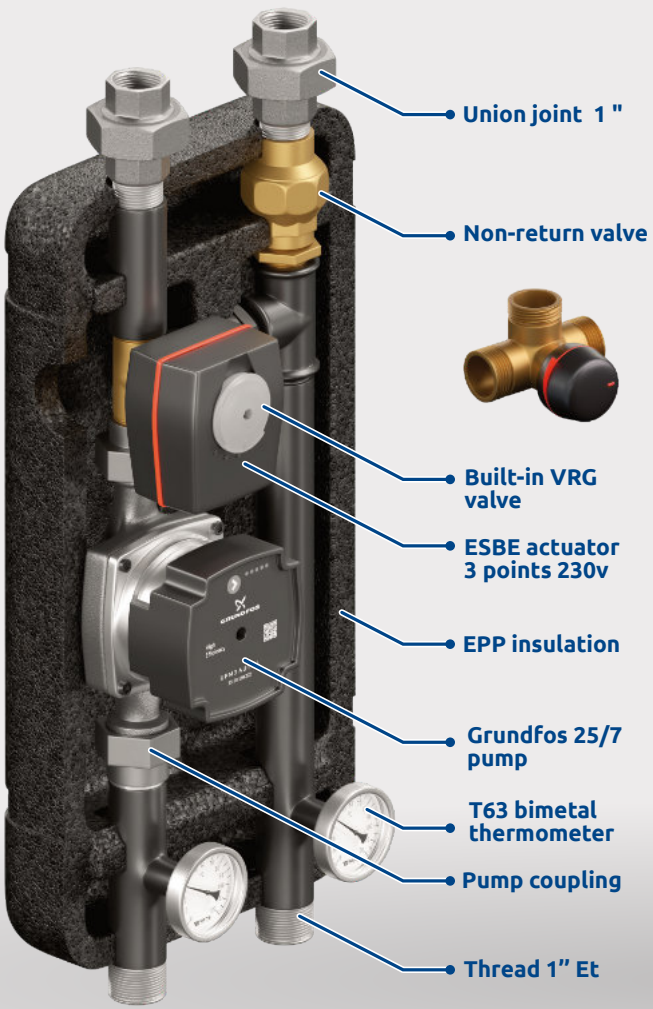
Brigade 314
VTA 322 + VRG 432 
code 840314

Brigade 514
VTA 522 + VRG 432 
code 840514

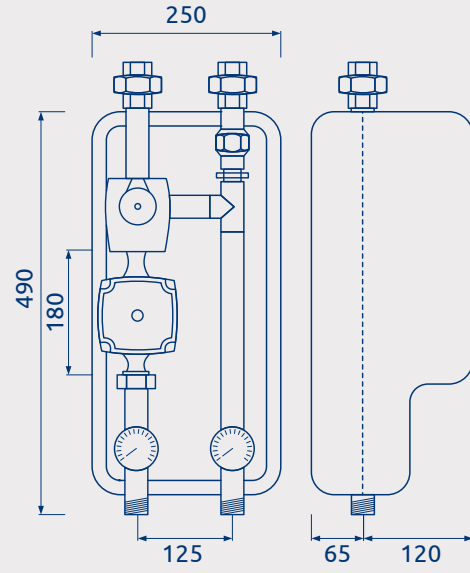
Pump groups

with 3-way rotary valve VRG 432 1" progressive VRG valve Kvs up to 8.0

with thermostatic valve VTA 1" VTA 322 Kvs 1.6 do 60 m² VTA 522 Kvs 3.2 do 120 m²



Universal pump group



VRG 432 Kvs 8,0		YES	YES	YES	YES		625400
VRG 432 Kvs 8,0		YES	YES	YES	YES	YES	625410
VRG 432 Kvs 8,0	YES	YES	YES	YES	YES		625470
VRG 432 Kvs 8,0	YES	YES	YES	YES	YES	YES	625480
VTA 322 Kvs 1,6			YES	YES	YES	YES	625300
VTA 322 Kvs 1,6	YES		YES	YES	YES	YES	625370
VTA 522 Kvs 3,2			YES	YES	YES	YES	625500
VTA 522 Kvs 3,2	YES		YES	YES	YES	YES	625570
Universal			YES		YES		625000
Universal	YES		YES		YES		625070



Pump 25/7 Grundfos



Rotary valve VRG ESBE



VTA ESBE mixing valve



Watts thermometers



Non-return valve



Union joint 1"



ESBE actuator for VRG valve

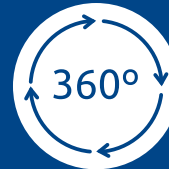
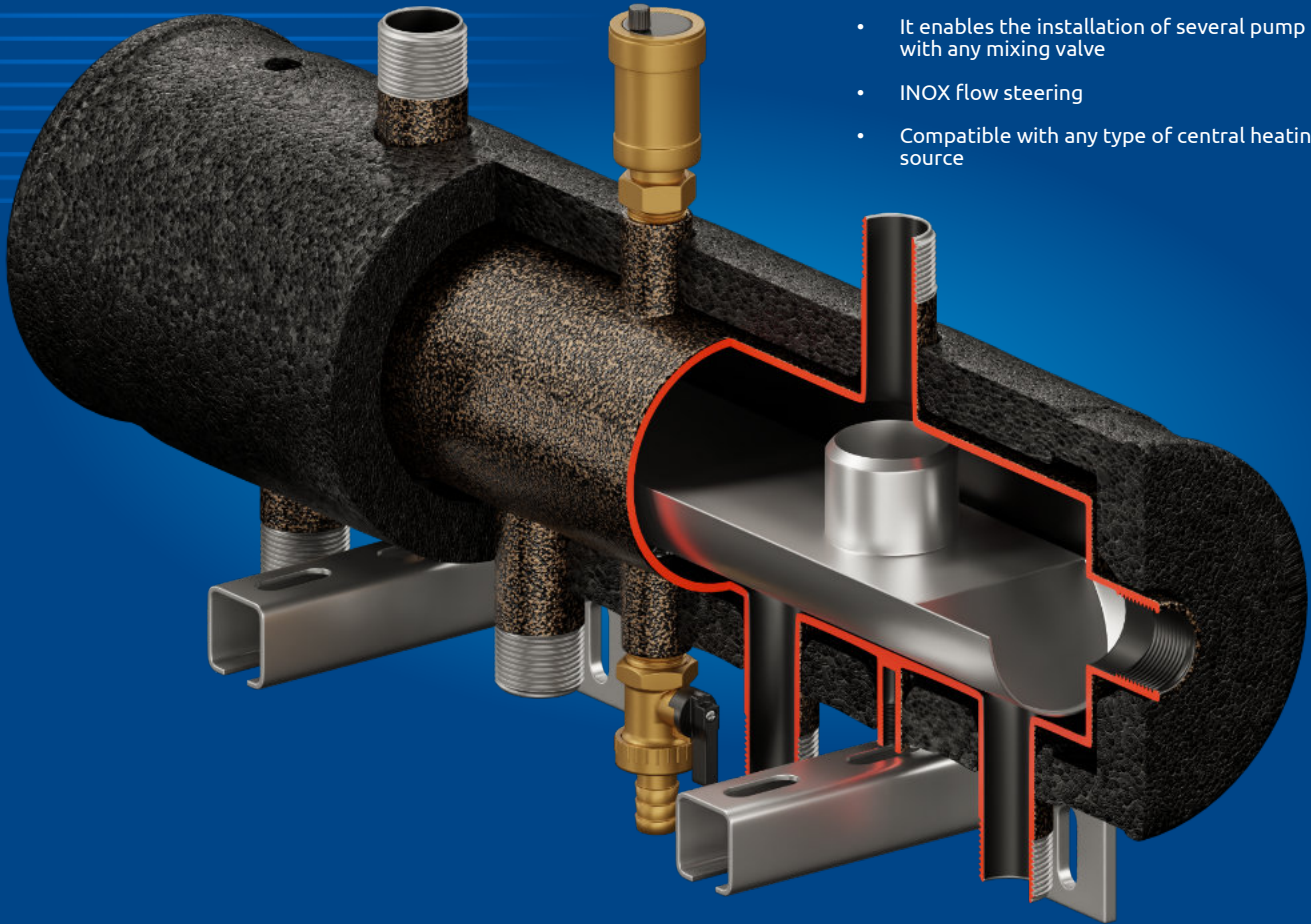


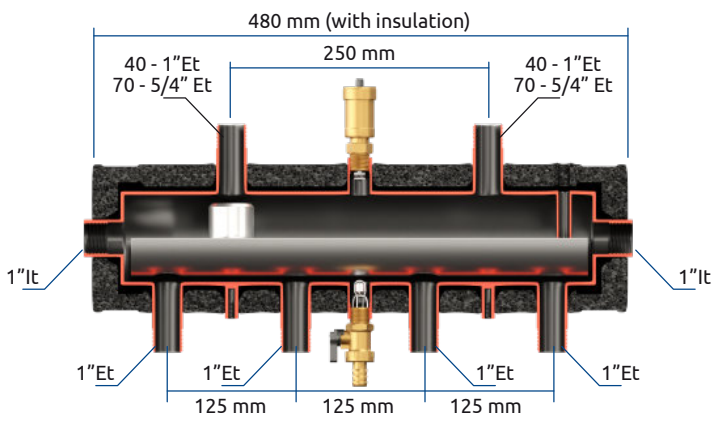
SKE 2DC + Condens 55 and 90 kW

distribution low loss header with extension set

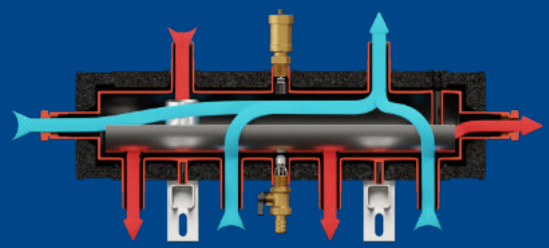
The most technically advanced distribution low loss header in Poland

- maintains the high efficiency of the condensing boiler and heat pump
- minimizes the return of hot water directly to the heat source
- it also guarantees even hot water consumption by the pump groups
- It enables the installation of several pump groups with any mixing valve
- INOX flow steering
- Compatible with any type of central heating source

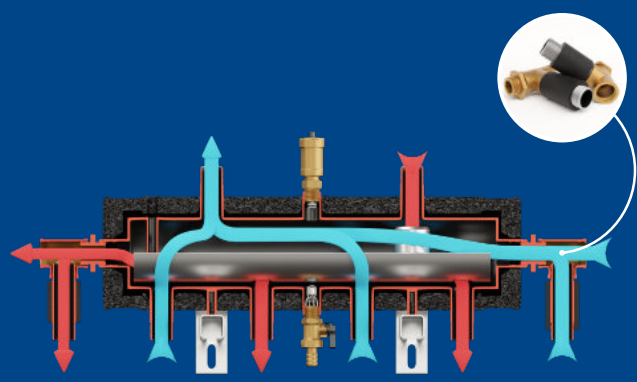




SKE 2DC+ Condens	55 kW	90 kW
item code	432055	432090
max flow	2,3 m ³ /h	4,0 m ³ /h
max power at ΔT = 20	up to 55 kW	up to 90 kW

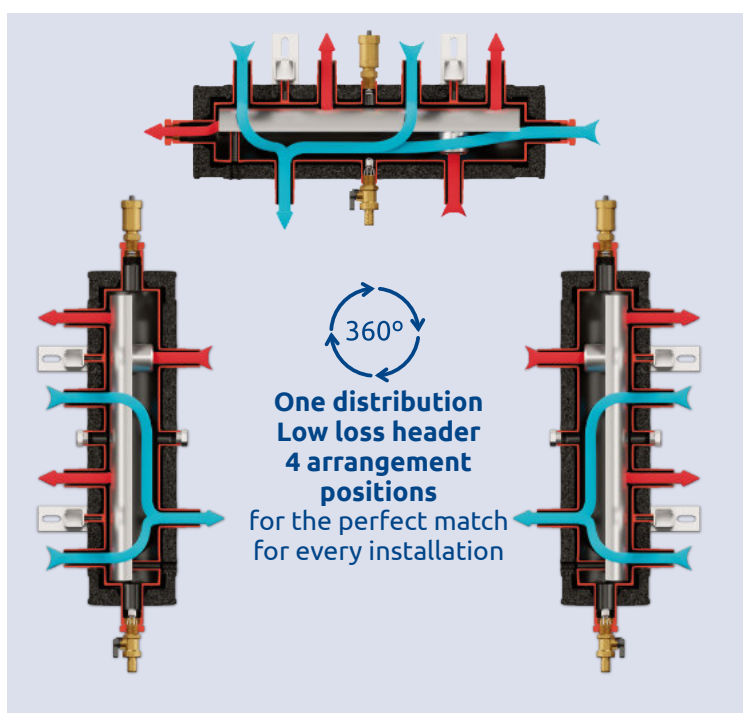


I c.h. circuit II c.h. circuit



I c.h. circuit II c.h. circuit III c.h. circuit

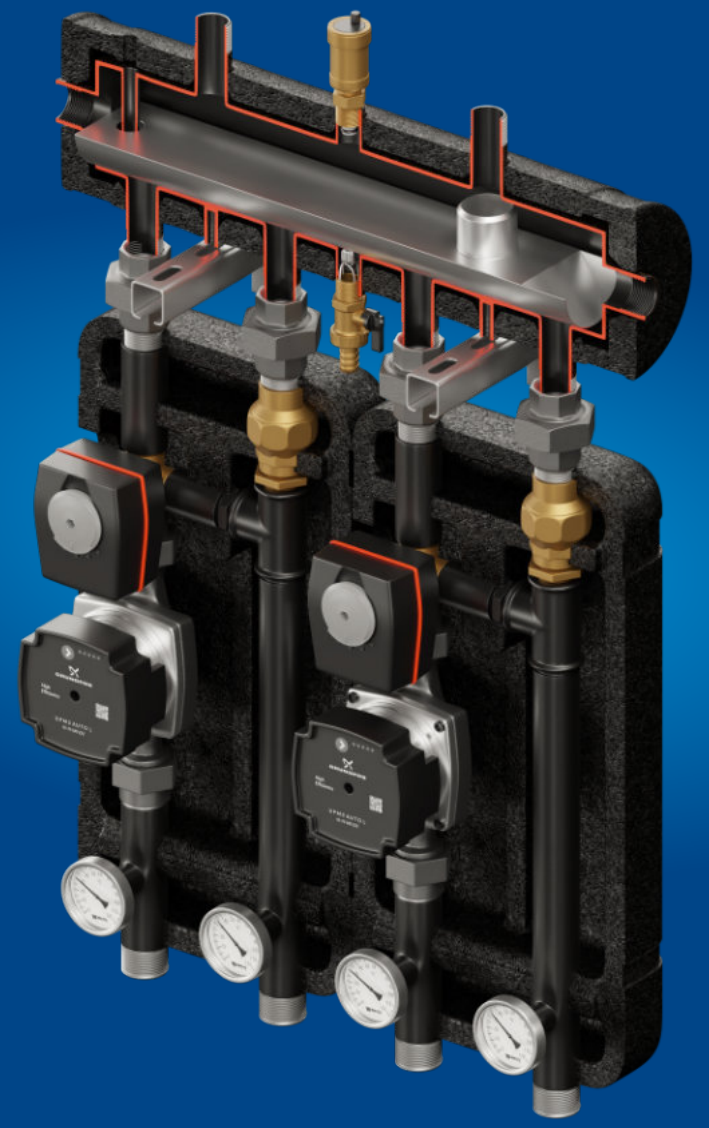
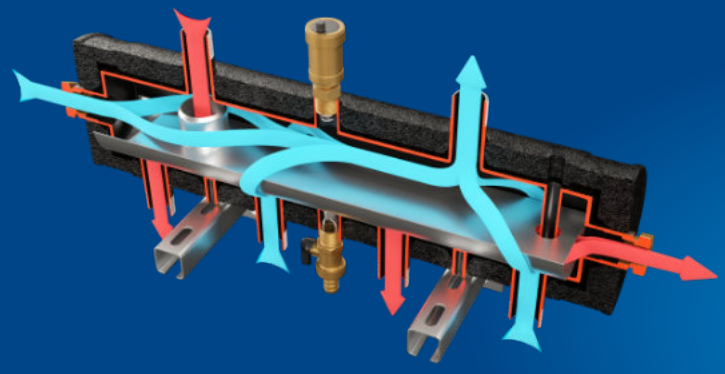
extension set	item code	400001
---------------	-----------	--------





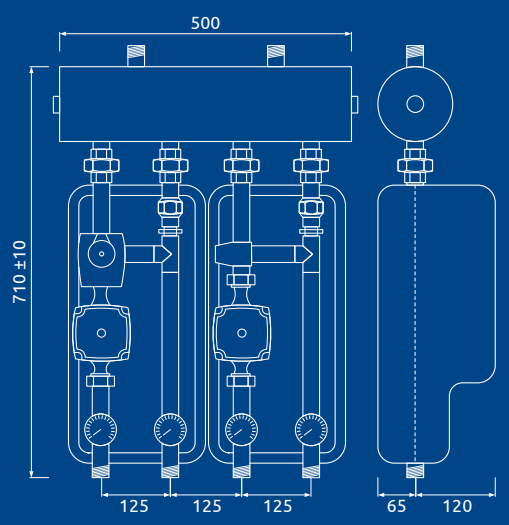
Company set

SKE 2DC + Condens 55 kW + 2 x pump group

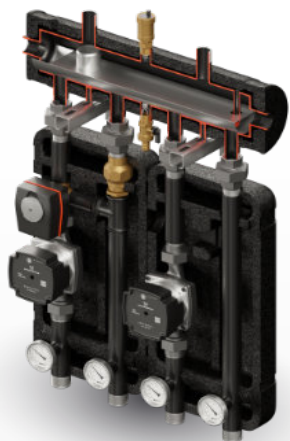


NEW
Pump sets selection configurator

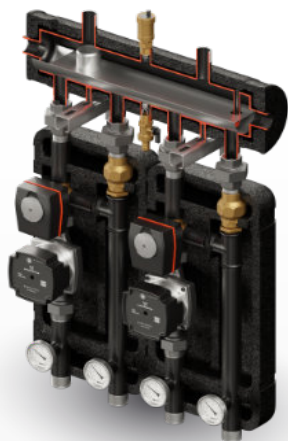
Configurator - full offer of
28 combinations fitted to
each central heating installation



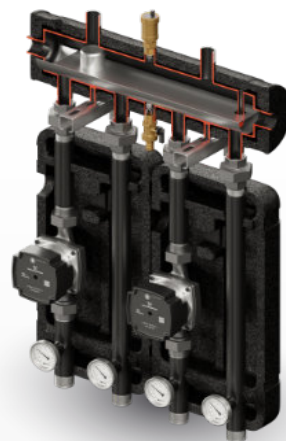
The 16 most popular Company sets (28 sets to choose from - see www.elterm.pl)



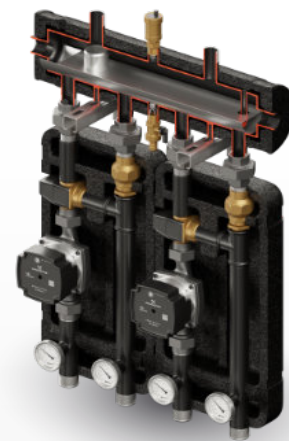
Company 480
VRG 432 + UNI + 
code 855480




Company 484
VRG 432 + VRG 432 + 
code 855484



Company 070
UNI + UNI + 
code 855070



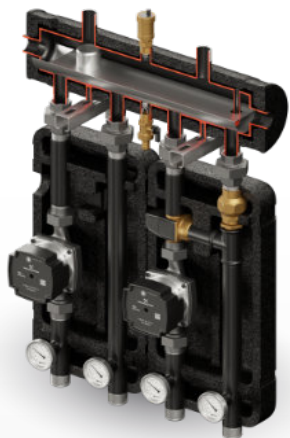
Company 575
VTA 522 + VTA 522 + 
code 855575

Company 410
VRG 432 + UNI 
code 855410

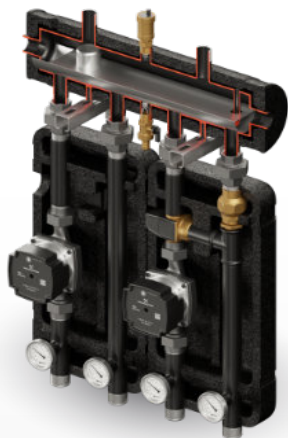
Company 414
VRG 432 + VRG 432 
code 855414

Company 000
UNI + UNI 
code 855000

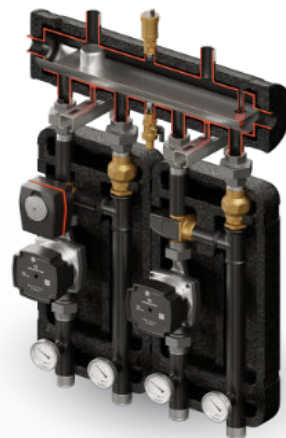
Company 505
VTA 522 + VTA 522 
code 855505



Company 370
VTA 322 + UNI + 
code 855370



Company 570
VTA 522 + UNI + 
code 855570



Company 384
VTA 322 + VRG 432 + 
code 855384



Company 584
VTA 522 + VRG 432 + 
code 855584

Company 300
VTA 322 + UNI 
code 855300

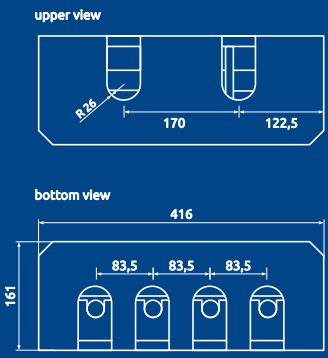
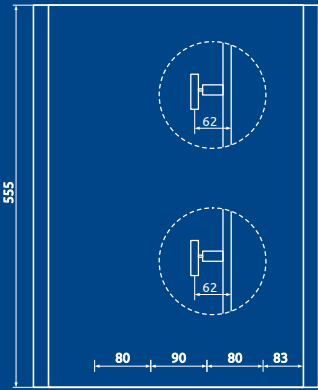
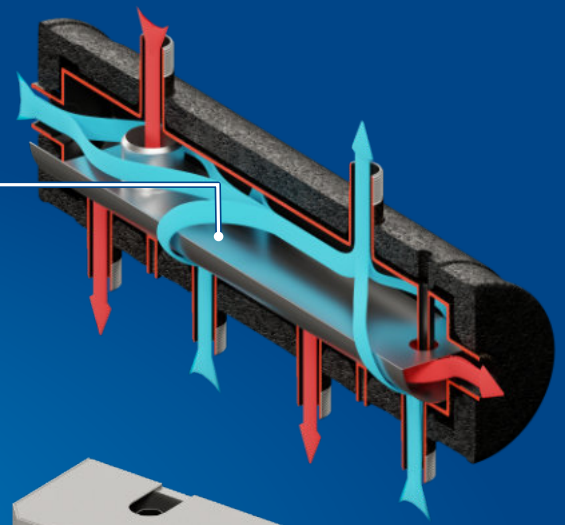
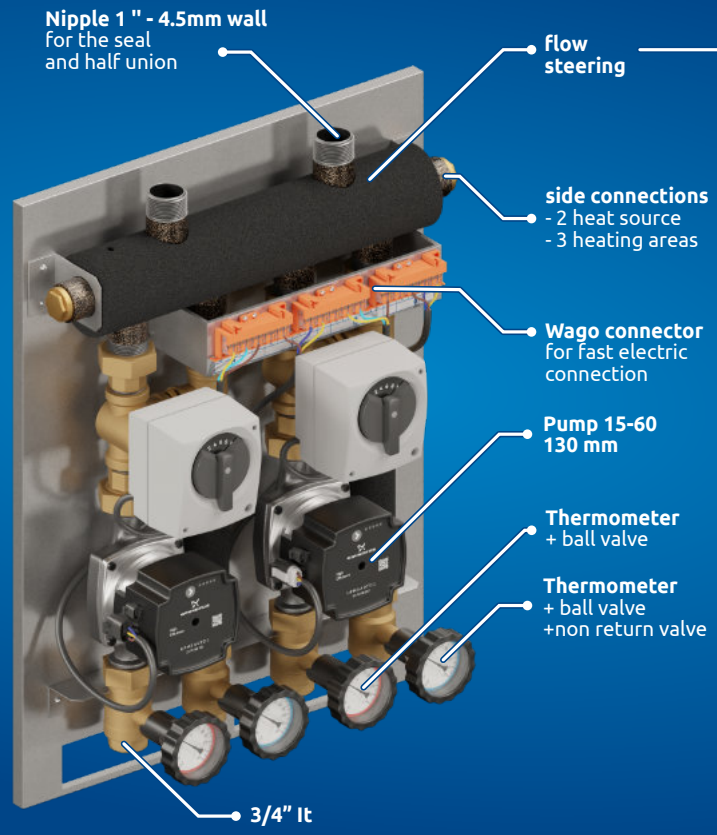
Company 500
VTA 522 + UNI 
code 855500

Company 314
VTA 322 + VRG 432 
code 855314

Company 514
VTA 522 + VRG 432 
code 855514

Squadron set

SKE 2DC+ Condens 35 kW + 2 x pump group



Squadron Set
four positions of installation



NEW
Pump sets selection configurator

Squadron Set - 6 options to choose from : rotary valve with Kvs 6.3 actuator
Kvs 1.8 thermostatic mixing valve 20-45 °C



Squadron 070
(SKE 2DC+ 35 kW, 2 x UNI, pumps DN15)
item code 835070



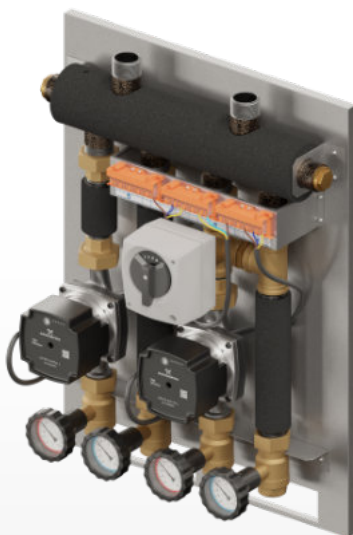
Squadron 370
(SKE 2DC+ 35 kW, UNI, thermostatic mixing valve, pumps DN15)
item code 835370



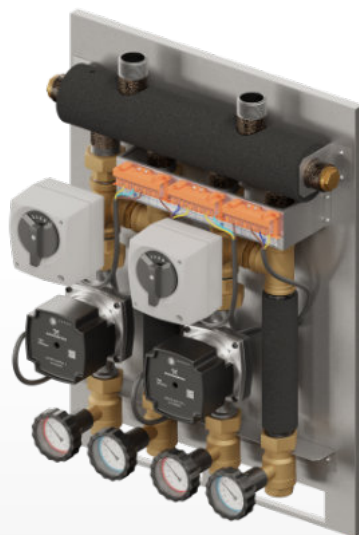
Squadron 373
(SKE 2DC+ 35 kW, 2 x thermostatic mixing valve, pumps DN15)
item code 835373



Squadron 384
(SKE 2DC+ 35 kW, thermostatic mixing valve, rotating valve with actuator, pumps DN15)
item code 835384



Squadron 480
(SKE 2DC+ 35 kW, UNI, rotating valve with actuator, pumps DN15)
item code 835480

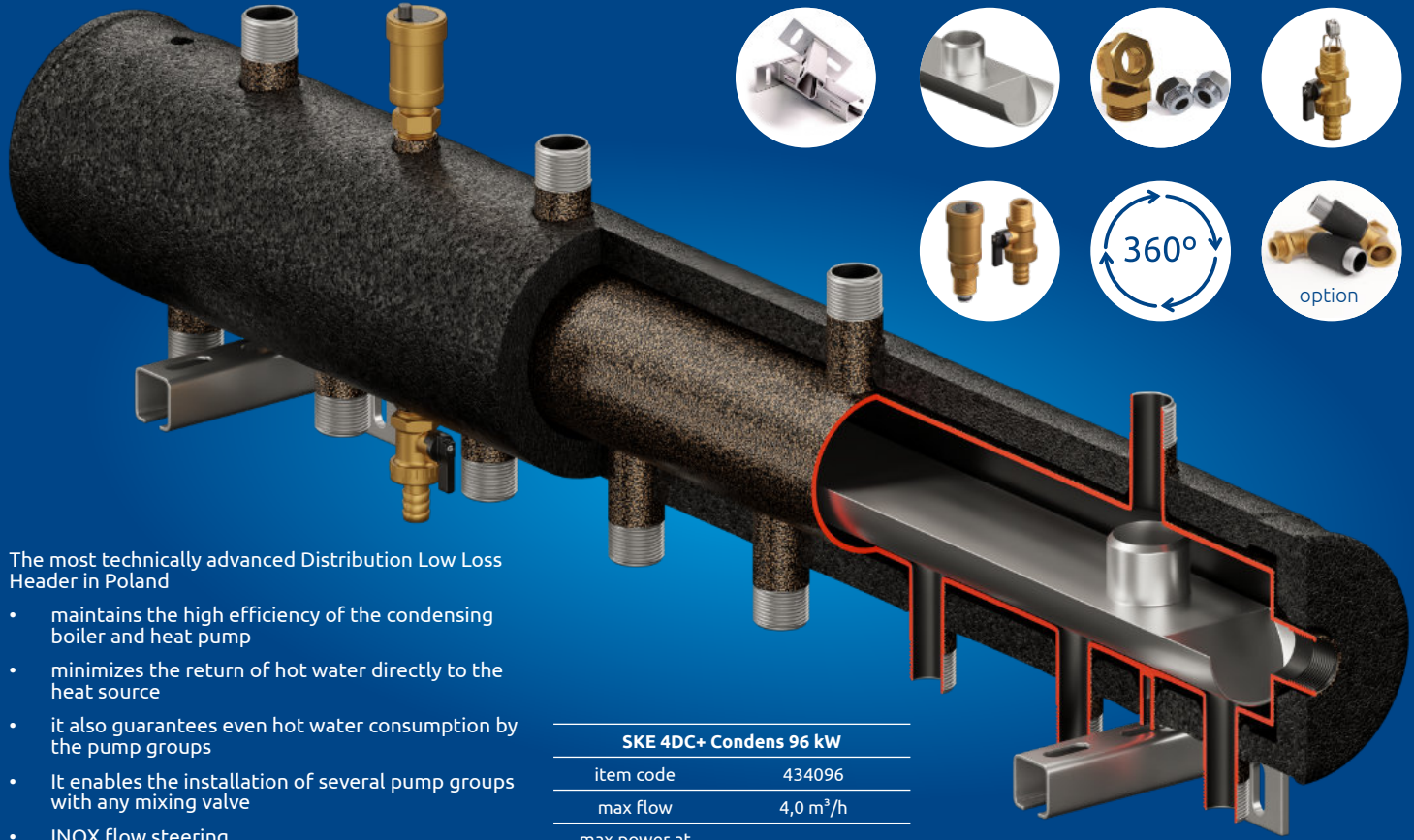


Squadron 484
(SKE 2DC+ 35 kW, 2 x rotating valve with actuator, pumps DN15)
item code 835484



SKE 4DC+ Condens 96 kW (2X48 kW)

Distribution Low loss Header with adaptation set

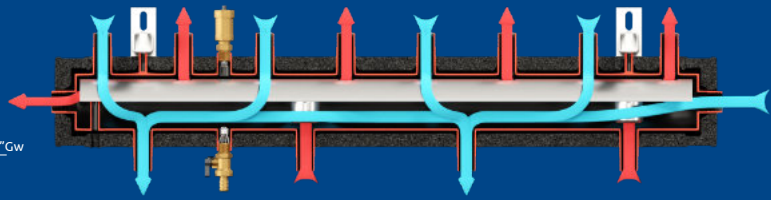
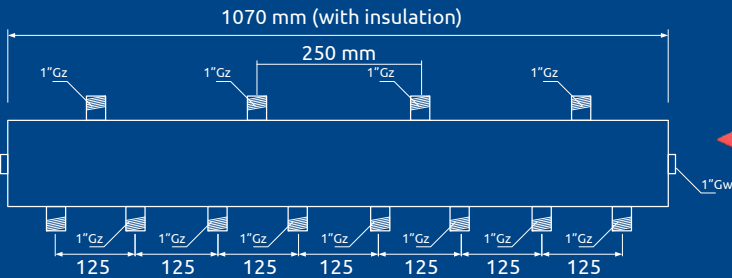


The most technically advanced Distribution Low Loss Header in Poland

- maintains the high efficiency of the condensing boiler and heat pump
- minimizes the return of hot water directly to the heat source
- it also guarantees even hot water consumption by the pump groups
- It enables the installation of several pump groups with any mixing valve
- INOX flow steering
- For cooperation with 1 or 2 heat sources

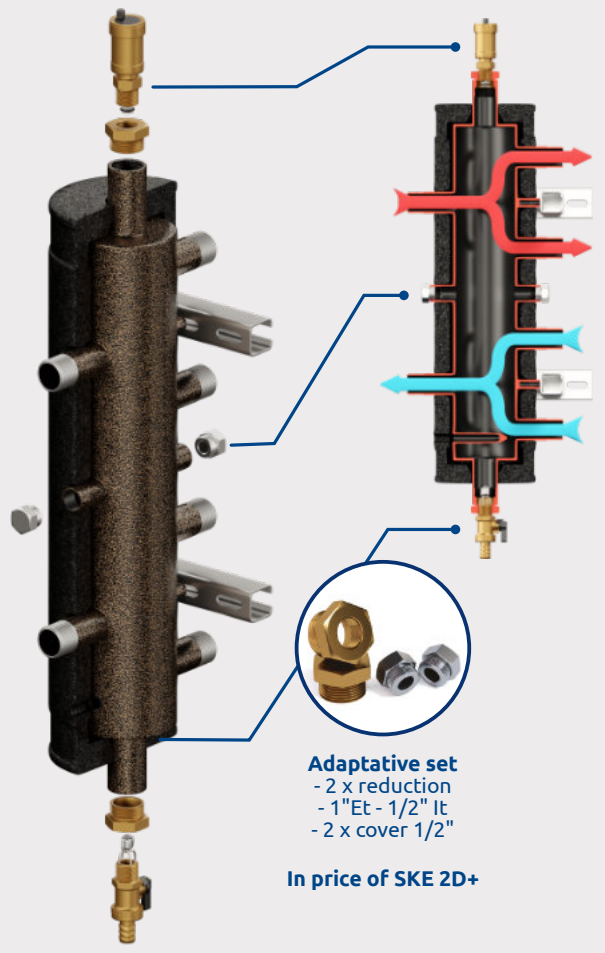
SKE 4DC+ Condens 96 kW

item code	434096
max flow	4,0 m ³ /h
max power at ΔT = 20K	up to 2 x 48 kW



SKE 2D+ 40 kW

Distribution Low Loss Header with adaptative set

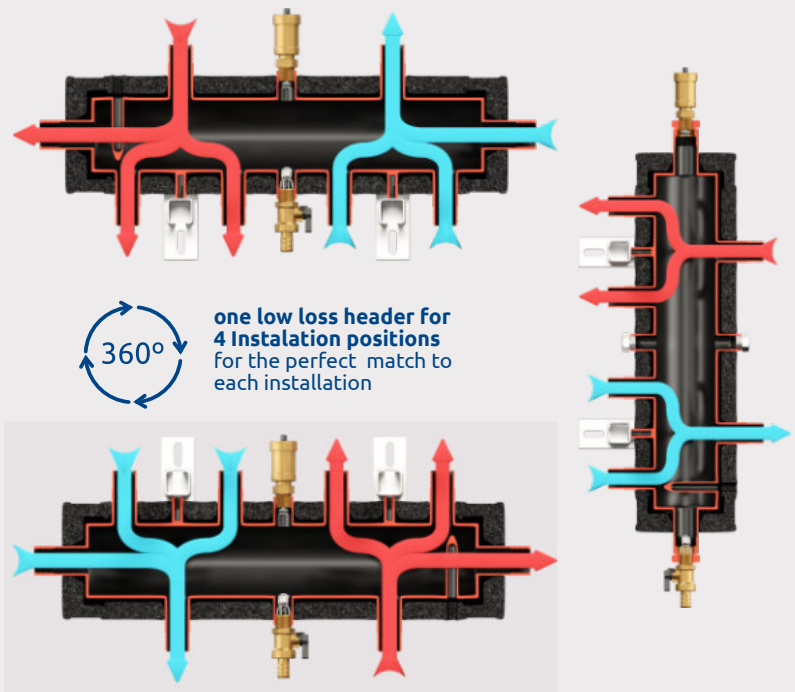


Adaptative set
 - 2 x reduction
 - 1"Et - 1/2" It
 - 2 x cover 1/2"

In price of SKE 2D+

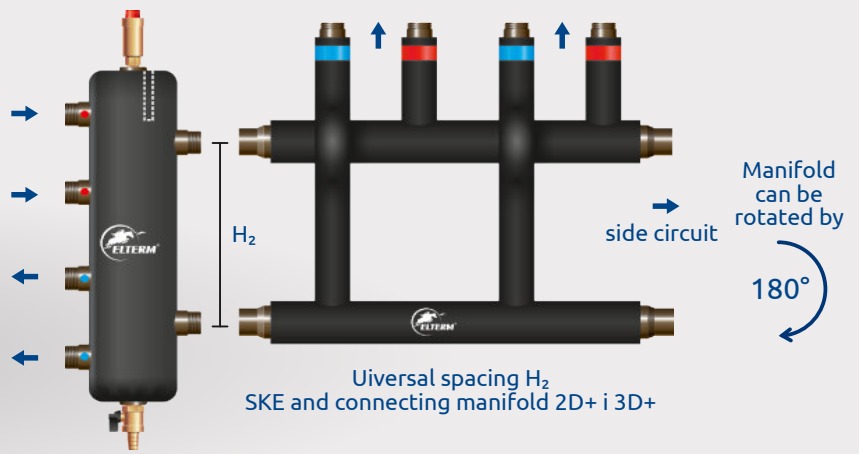
SKE 2D+ 40 kW	
item code	412040
max flow	2,3 m ³ /h
max power at ΔT = 15K	do 40 kW

option 1



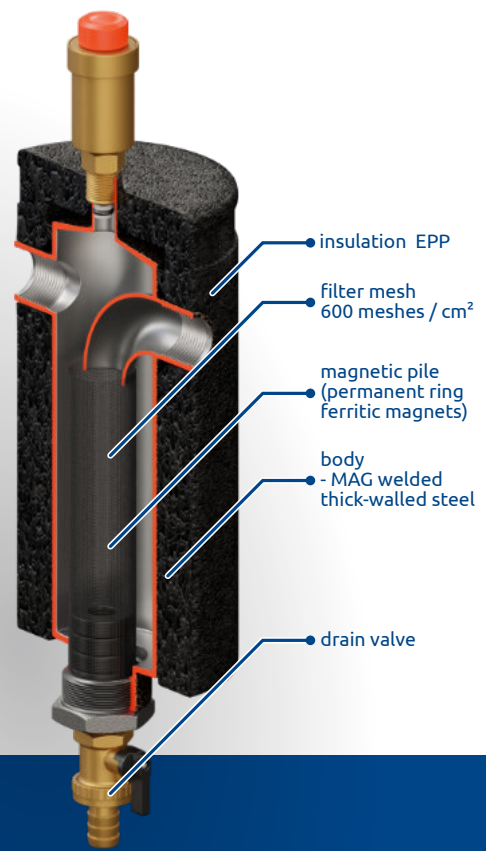
option 2

Vertical version for 2 heat sources + connecting manifold





Magnetic separator DRYL



- Effective filter mesh over 600 mesh per cm²
- Effective venting
- Effective removal of mechanical impurities
- Effective removal of ferromagnetic contamination
- Easy and quick cleaning of the filter mesh and the magnetic pile

	DRYL 37 OC 25/65	DRYL 60 OC 32/80	DRYL 95 OC 40/100	DRYL 144 OC 50/125	DRYL 275 OC 65/150	DRYL 365 OC 80/200
item code	712037	712060	712095	712144	712275	712365
insulation	YES	YES	YES	YES	YES	YES

	DRYL 37 25/65	DRYL 60 32/80	DRYL 95 40/100	DRYL 144 50/125
item code	702037	702060	702095	702144
insulation	NO	NO	NO	NO

Max Power at ΔT = 15K	up to 37 kW	up to 60 kW	up to 95 kW	up to 144 kW	up to 275 kW	up to 365 kW
Connection DN	25-1" It	32-1¼" It	40-1½" It	50-2" It	Flange 2½" (DN65 PN16)	Flange 3" (DN80 PN16)
flow Qmax	2,1 m ³ /h	3,5 m ³ /h	5,4 m ³ /h	8,3 m ³ /h	16,0 m ³ /h	21,2 m ³ /h

Phase 1 - CENTRIFUGAL FILTRATION

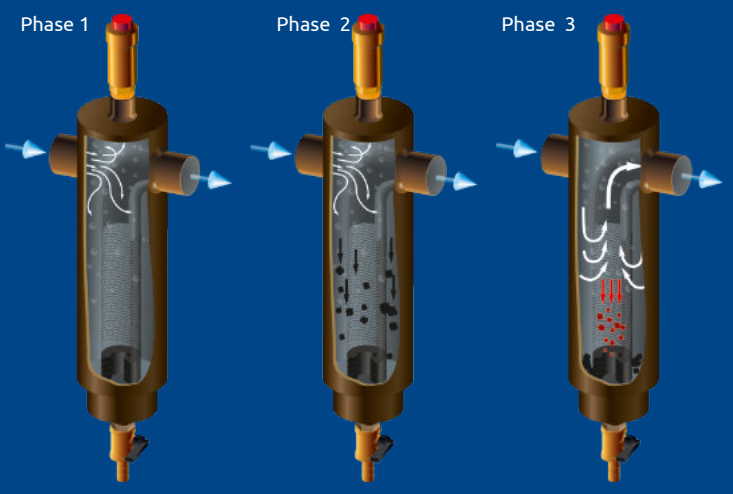
- Central heating water flow takes a whirling motion and is smashed by Hamburg knee. Initial bubble precipitation occurs Air.

Phase 2 - SEDIMENTATION

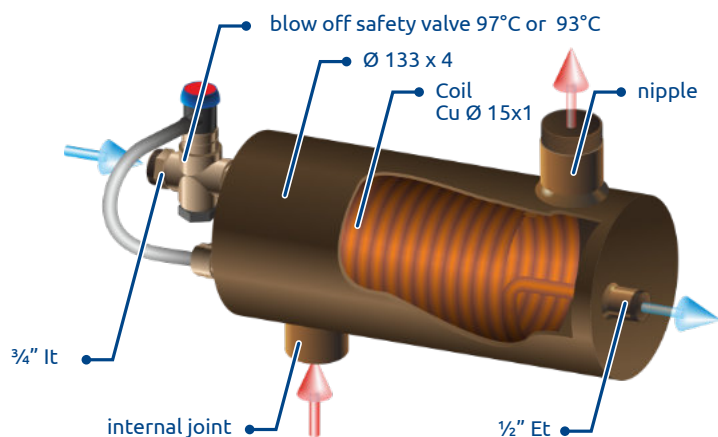
- The water in the filter separator body considerably slows down the speed, mechanical impurities > 0.125 mm fall by gravity in front of the mesh filter.

Phase 3 - MECHANICAL FILTRATION ON A GRID + MAGNETIC FILTRATION

- Water passes through the strainer. Ferromagnetic contamination < 0.125mm catches magnetic pile. The water passes through the dense mesh, there is a fundamental phase separation of air particles



Safety heat exchanger Guardian



- possibility of vertical work
- possibility of horizontal work
- self-venting
- 100% pressure control

uninsulated	GUARDIAN 23 40/125	GUARDIAN 32 40/125
work temperature	93°C	93°C
item code	703323	703332

work temperature	97°C	97°C
item code	703023	703032

coil power (max. Boiler power)	23 kW	32 kW
-----------------------------------	-------	-------

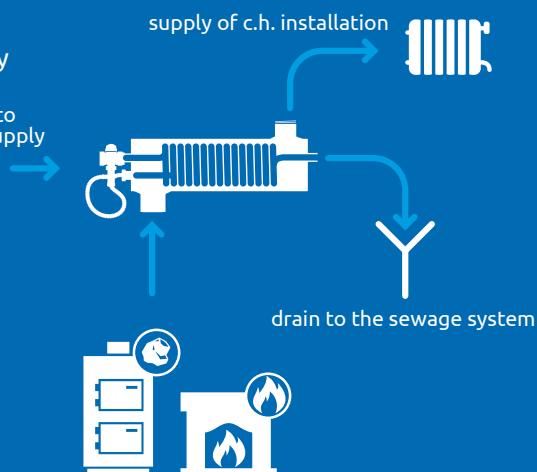
insulated	GUARDIAN 23 40/125	GUARDIAN 32 40/125
work temperature	93°C	93°C
item code	713323	713332

work temperature	97°C	97°C
item code	713023	713032

coil power (max. Boiler power)	23 kW	32 kW
-----------------------------------	-------	-------

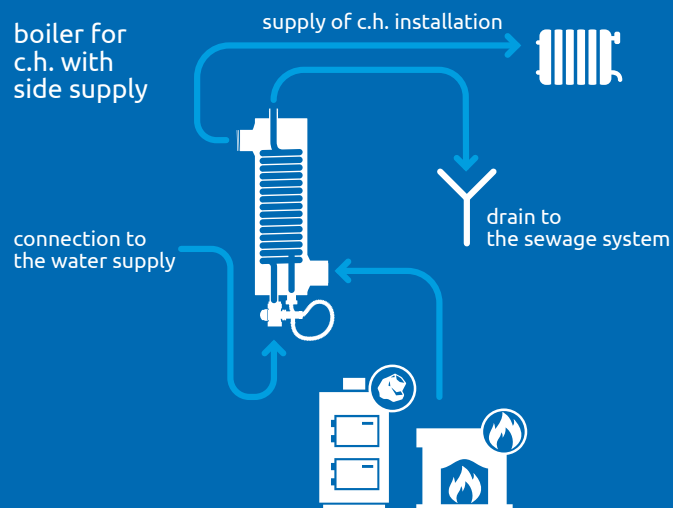
boiler for
c.h. with
top supply

connection to
the water supply



boiler for
c.h. with
side supply

connection to
the water supply



Quartermaster controller

guarantee of reliable operation in mixed systems



- Modern, electronic, weather and room controller for the entire c.h. installation and d.h.w.
- Provides comfortable and efficient management of heat sources, Low loss header and heated rooms
- Touch and easy-to-use control panel

Quartermaster controller	
item code	811246

Controls:

- 1 or 2 any heat sources (boiler alter.)
- 2 heat sources simultaneously (two different heat sources or a cascade of 2 c. h. Boilers)



x3

controls max 3 actuators 3 point 230V



x5

Controls:

- 3 central heating pumps e.g. pump groups
- 1 domestic hot water pump e.g. a pump group
- 1 circulation pump



Controls:

2 N/C contact (break contact) of the boilers
or
2 any heat source pumps or in a mixed system



3 x N/C contact (break contact) for 3 CH circuits
(possibility to connect any 3 voltage-free room thermoregulators)



3 x N/C contact (break contact) for 3 CH circuits
(possibility to connect any 3 voltage-free room thermoregulators)



weather compenstaion



x5

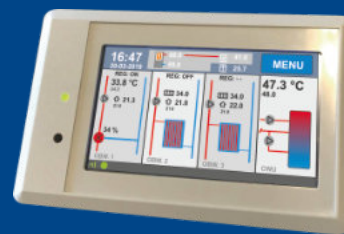
5 independent temperature sensors, e.g. :
• 3 CH circuits + hot water + low loss header
• 2 CH circuits + hot water + low loss header + fireplace



x3

STOP C.H.

The AUTO-SUMMER function is independent for each circuit
(turns off the circuit after exceeding a certain outside temperature)



Quartermaster controller	item code	811246
--------------------------	-----------	--------



Smartphone web application
Controls the most important functions
Quartermaster via Mobile phone

quartermaster controller + smartphone application	item code	814246
---	-----------	--------



Wired, room, temperature sensor
(maximum 3 independent sensors for each heating circuit)

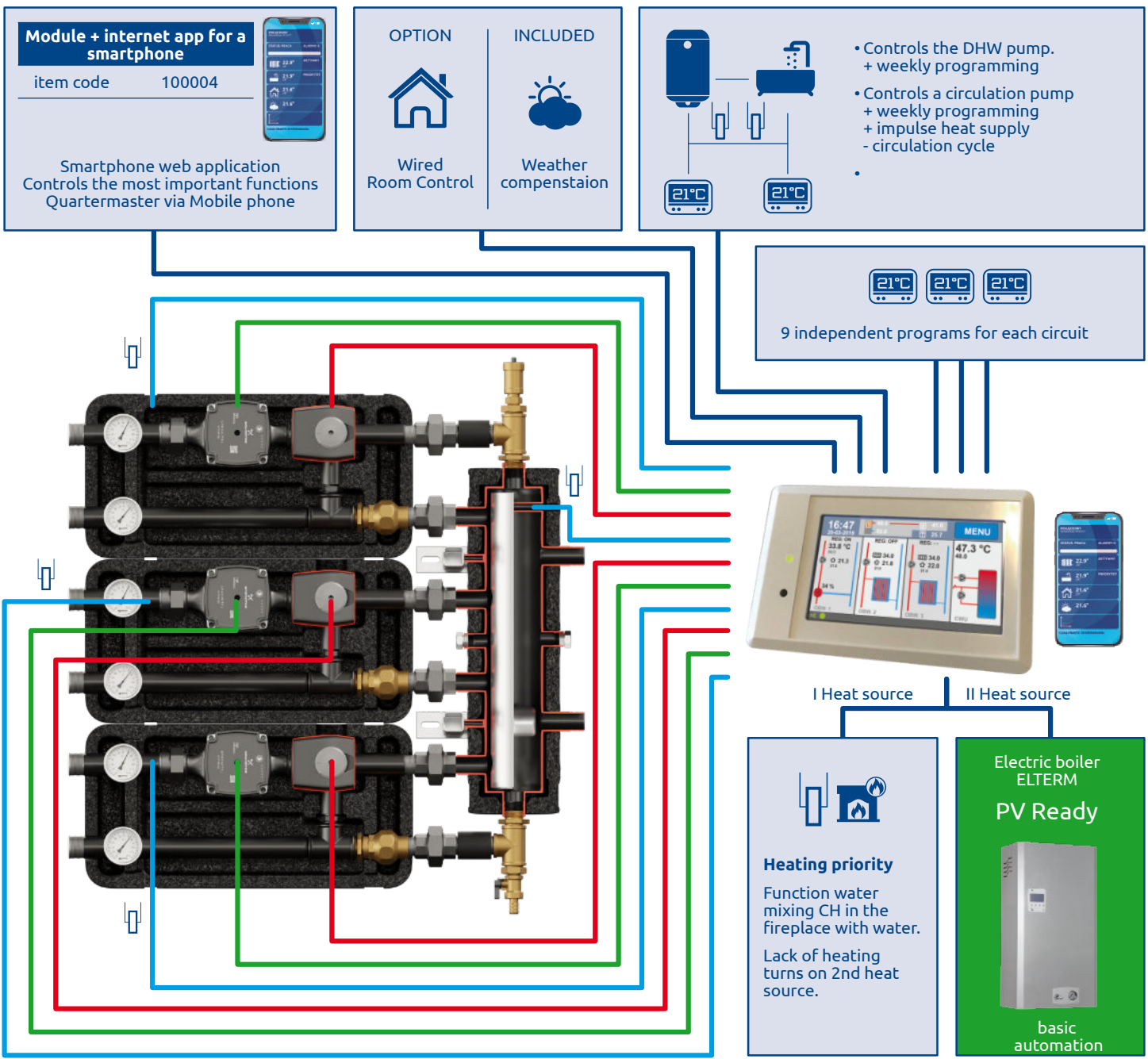
room sensor	item code	100005
-------------	-----------	--------



Additional temperature sensor
(The Quartermaster supports the maximum 6 temperature sensors)
Most often used for heat detection with fireplace with a water jacket

temperature sensor	item code	100006
--------------------	-----------	--------



Quartermaster controller - one of the control options



Module + internet app for a smartphone

item code 100004



Smartphone web application
Controls the most important functions
Quartermaster via Mobile phone

OPTION	INCLUDED
 Wired Room Control	 Weather compensation

- Controls the DHW pump.
+ weekly programming
- Controls a circulation pump
+ weekly programming
+ impulse heat supply
- circulation cycle


9 independent programs for each circuit



I Heat source	II Heat source
 Heating priority Function water mixing CH in the fireplace with water. Lack of heating turns on 2nd heat source.	Electric boiler ELTERM PV Ready  basic automation

Hydraulic Armature – Economic version

SHE 28 kW
Low loss header



Air vent
and valve
Drain



measuring
pipe

item code 401028

SHE-OC 28 kW
Low loss header



Air vent
and valve
Drain



SMART



mounting
profile



Solar
insulation



measuring
pipe

item code 402028

SHE CD Condens 35 kW
Low loss header



Air vent
and valve
Drain



SMART



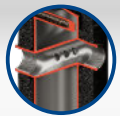
mounting
profile



Solar
insulation



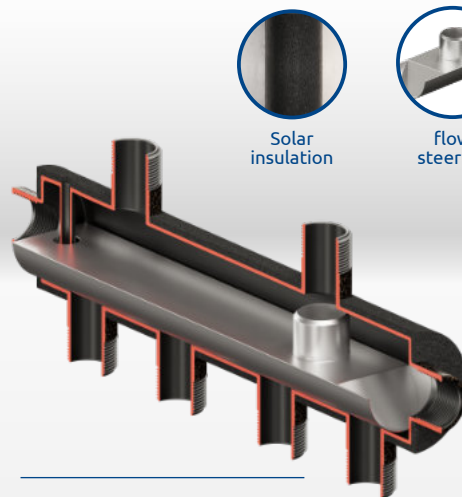
measuring
pipe



flow
steering

item code 403035

SKE 2DC+ Condens 35 kW
Distribution manifold



Solar
insulation



flow
steering



measuring
pipe



one low loss
header for 4
Installation
positions for the
perfect match to
each installation

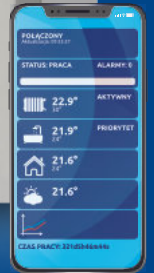
item code 432035

Elterm- the widest choice of electric boilers

Top seller
Colonel



**PV
ready**



Only here!
Integrated boiler
with hot water heater

Ensign and Lieutenant

4 x PV Ready



PV Ready
boiler work counter



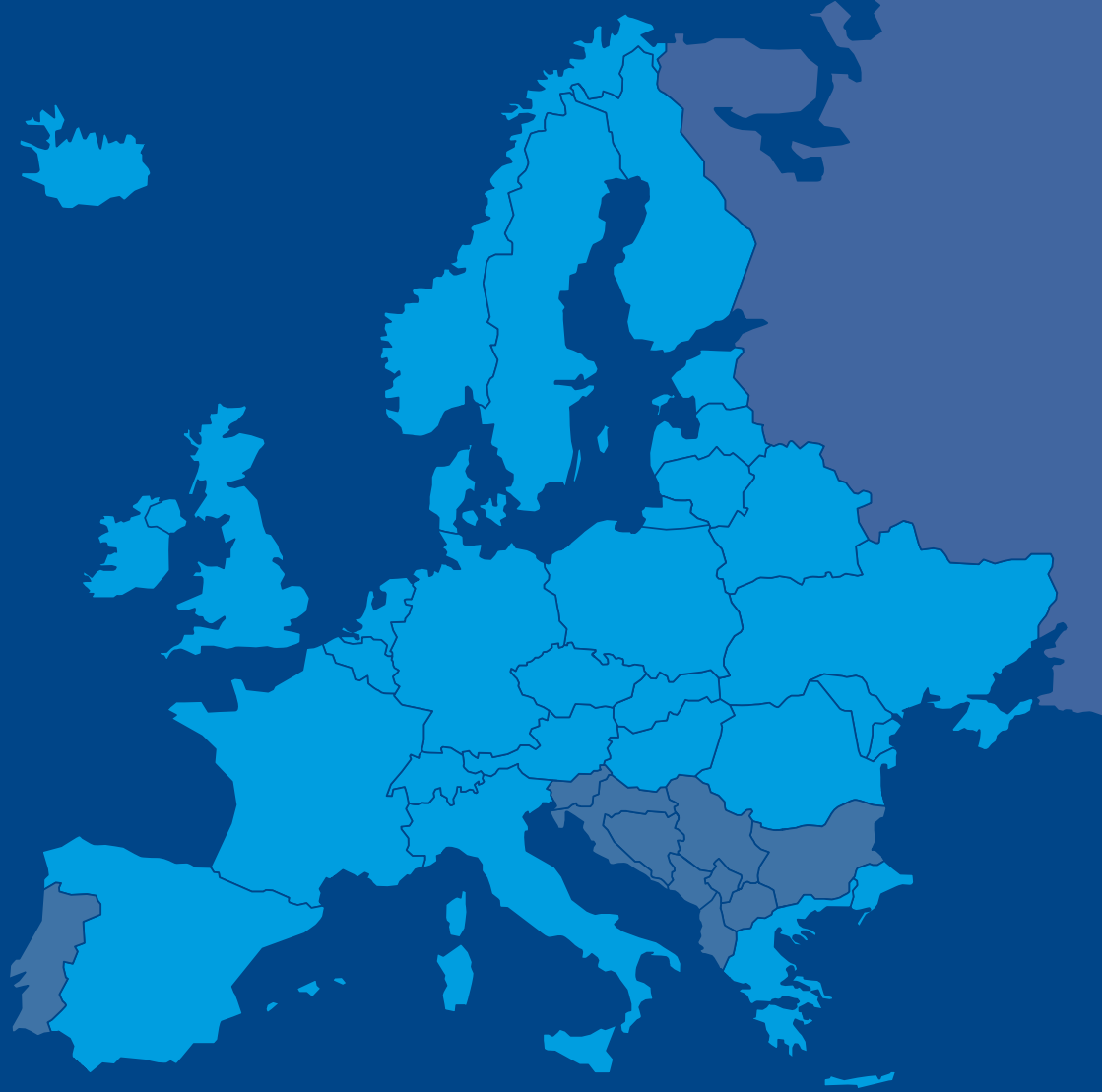
PV Ready
N/C contact
(break contact) 0V



PV Ready
break contact



PV Ready
Maximum
power lock



Some of investments using our electric boilers

